



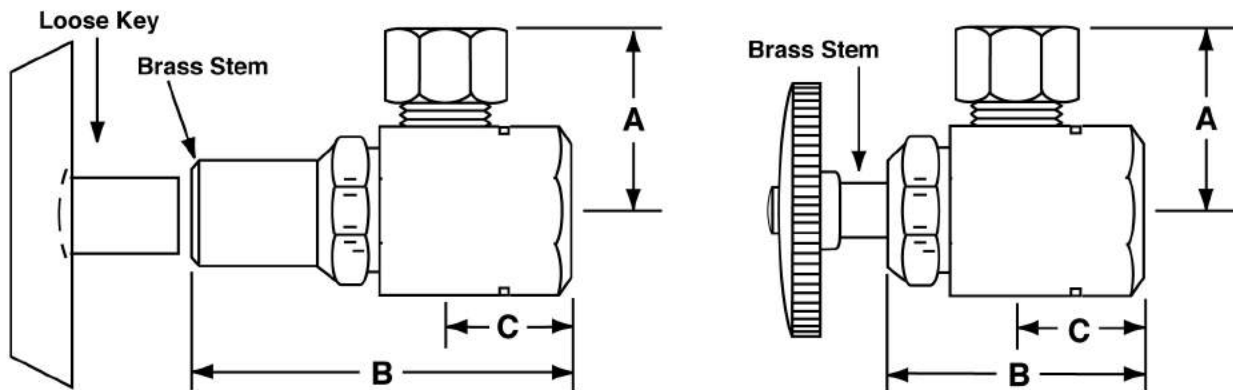
McGuire Manufacturing Co., Inc.
 60 Grandview Court
 Cheshire, Connecticut 06410
 (203) 699-1801 Fax (203) 699-1813
 customerservice@mcguiremfg.com mcguiremfg.com
PRODUCT SPECIFICATION

Part No.
LFCK01
Integral Check Valve
IPS x Compression

Job Name:

Submittal Number:

Pipe To Compression



NO.	DESCRIPTION	ROUGHING MEASUREMENTS		
		A	B	C
LFCK01	3/8" I.P.S. x 3/8" O.D.	1"	1-1/2"	3/4"

- Rated Operating Pressure: 20-125 PSI
- Rated Operating Temperature: 40-140°F
- Note: 180°F max. during temporary high-temperature system flush

LK designates *Loose Key*

* See options and accessories section for details on product variations.



Specifications:

Chrome plated brass supply stop valve with spring actuated integral check valve and full turn brass stem. Inlet shall be (3/8, 1/2) inch (IPS, sweat, compression). Outlet shall be (3/8, 1/2) inch (IPS, compression). Integral check supply stop valve shall be McGuire _____.

Integral check supply stop valve shall be certified or recognized by testing authority and bear manufacturer and testing mark.

⚠ WARNING:

This product can expose you to chemicals including lead, which is known to the State of California to cause cancer, and birth defects or other reproductive harm. For more information go to www.P65Warnings.ca.gov.



McGuire Manufacturing Co., Inc.

60 Grandview Court
 Cheshire, Connecticut 06410
 (203) 699-1801 Fax (203) 699-1813
 customerservice@mcguiremfg.com mcguiremfg.com

PRODUCT SPECIFICATION

Part No.

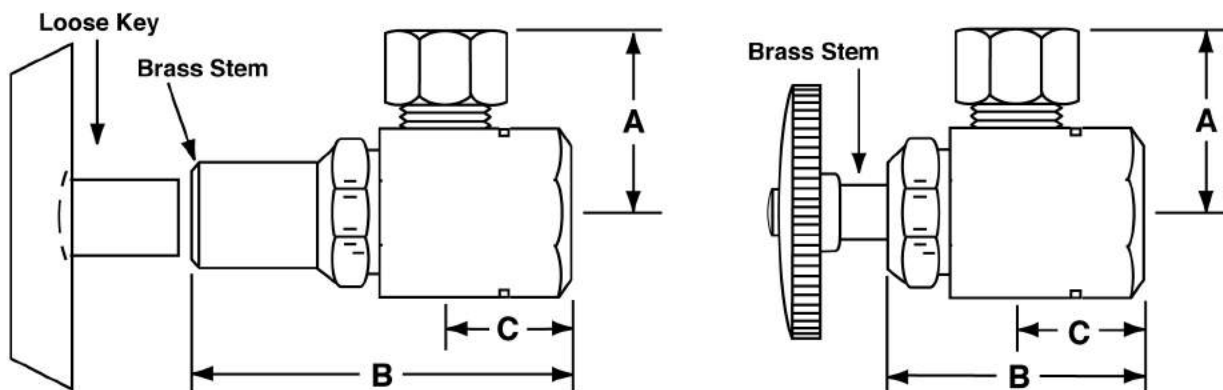
LFCK01LK

**Integral Check Valve
 IPS x Compression**

Job Name:

Submittal Number:

Pipe To Compression



NO.	DESCRIPTION	ROUGHING MEASUREMENTS		
		A	B	C
LFCK01LK	3/8" I.P.S. x 3/8" O.D.	1"	2-1/4"	3/4"

- Rated Operating Pressure: 20-125 PSI
- Rated Operating Temperature: 40-140°F
- Note: 180°F max. during temporary high-temperature system flush

LK designates *Loose Key*

* See options and accessories section for details on product variations.



ASME A112.18.1
 ASME A112.18.3

Specifications:

Chrome plated brass supply stop valve with spring actuated integral check valve and full turn brass stem. Inlet shall be (3/8, 1/2) inch (IPS, sweat, compression). Outlet shall be (3/8, 1/2) inch (IPS, compression). Integral check supply stop valve shall be McGuire _____.

Integral check supply stop valve shall be certified or recognized by testing authority and bear manufacturer and testing mark.



WARNING:
 This product can expose you to chemicals including lead, which is known to the State of California to cause cancer, and birth defects or other reproductive harm. For more information go to www.P65Warnings.ca.gov.



McGuire Manufacturing Co., Inc.

60 Grandview Court
 Cheshire, Connecticut 06410
 (203) 699-1801 Fax (203) 699-1813
 customerservice@mcguiremfg.com mcguiremfg.com

PRODUCT SPECIFICATION

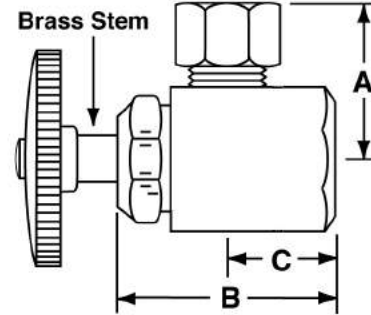
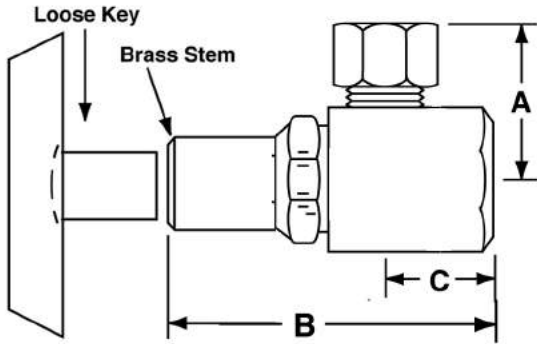
Part No.

LFCK02

**Integral Check Valve
 IPS x Compression**

Job Name:

Submittal Number:



NO.	DESCRIPTION	ROUGHING MEASUREMENTS		
		A	B	C
LFCK02	1/2" IPS x 3/8" OD, Wheel Handle	1-3/16"	1-1/2"	3/4"

- Rated Operating Pressure: 20-125 PSI
- Rated Operating Temperature: 40-140°F
- Note: 180°F max. during temporary high-temperature system flush

LK designates *Loose Key*

See options and accessories section for details on product variations.



Specifications:

Chrome plated brass supply stop valve with spring actuated integral check valve and full turn brass stem. Inlet shall be (3/8, 1/2) inch (IPS, sweat, compression). Outlet shall be (3/8, 1/2) inch (IPS, compression). Integral check supply stop valve shall be McGuire _____ . Integral check supply stop valve shall be certified or recognized by testing authority and bear manufacturer and testing mark.



WARNING:

This product can expose you to chemicals including lead, which is known to the State of California to cause cancer, and birth defects or other reproductive harm. For more information go to www.P65Warnings.ca.gov.



McGuire Manufacturing Co., Inc.

60 Grandview Court
 Cheshire, Connecticut 06410
 (203) 699-1801 Fax (203) 699-1813
 customerservice@mcguiremfg.com mcguiremfg.com

PRODUCT SPECIFICATION

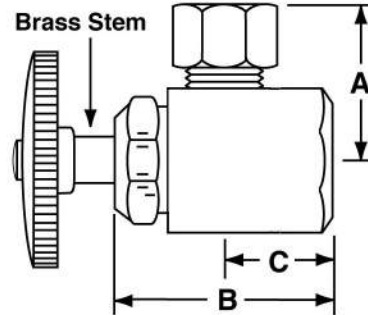
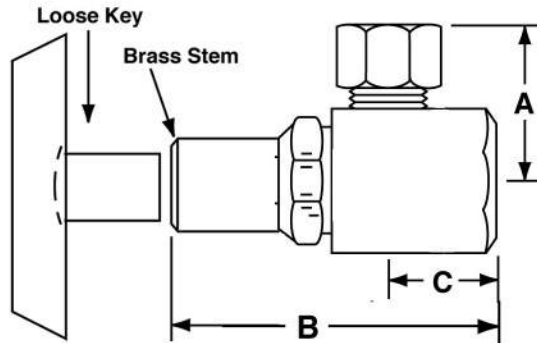
Part No.

LFCK02LK

**Integral Check Valve
 IPS x Compression**

Job Name:

Submittal Number:



NO.	DESCRIPTION	ROUGHING MEASUREMENTS		
		A	B	C
LFCK02LK	1/2" IPS x 3/8" OD, Loose Key	1-3/16"	2-1/4"	3/4"

- Rated Operating Pressure: 20-125 PSI
- Rated Operating Temperature: 40-140°F
- Note: 180°F max. during temporary high-temperature system flush

LK designates *Loose Key*

See options and accessories section for details on product variations.



Certified to
 NSF/ANSI 61 & 372



ASME A112.18.2

Specifications:

Chrome plated brass supply stop valve with spring actuated integral check valve and full turn brass stem. Inlet shall be (3/8, 1/2) inch (IPS, sweat, compression). Outlet shall be (3/8, 1/2) inch (IPS, compression). Integral check supply stop valve shall be McGuire _____.

Integral check supply stop valve shall be certified or recognized by testing authority and bear manufacturer and testing mark.



WARNING:

This product can expose you to chemicals including lead, which is known to the State of California to cause cancer, and birth defects or other reproductive harm. For more information go to www.P65Warnings.ca.gov.



McGuire Manufacturing Co., Inc.

60 Grandview Court
 Cheshire, Connecticut 06410
 (203) 699-1801 Fax (203) 699-1813
 customerservice@mcguiremfg.com mcguiremfg.com

Part No.

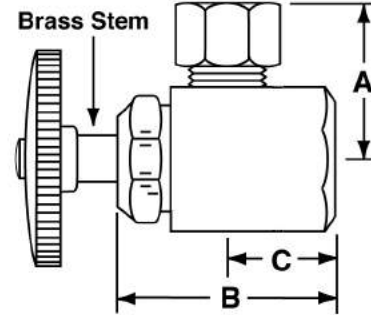
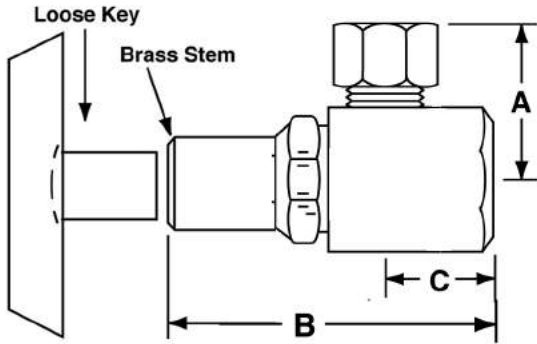
LFCK02LK

**Integral Check Valve
 IPS x Compression**

PRODUCT SPECIFICATION

Job Name:

Submittal Number:



NO.	DESCRIPTION	ROUGHING MEASUREMENTS		
		A	B	C
LFCK02LK	1/2" IPS x 3/8" OD, Loose Key	1-3/16"	2-1/4"	3/4"

- Rated Operating Pressure: 20-125 PSI
- Rated Operating Temperature: 40-140°F
- Note: 180°F max. during temporary high-temperature system flush

LK designates *Loose Key*

See options and accessories section for details on product variations.



Specifications:

Chrome plated brass supply stop valve with spring actuated integral check valve and full turn brass stem. Inlet shall be (3/8, 1/2) inch (IPS, sweat, compression). Outlet shall be (3/8, 1/2) inch (IPS, compression). Integral check supply stop valve shall be McGuire _____.

Integral check supply stop valve shall be certified or recognized by testing authority and bear manufacturer and testing mark.



WARNING:

This product can expose you to chemicals including lead, which is known to the State of California to cause cancer, and birth defects or other reproductive harm. For more information go to www.P65Warnings.ca.gov.



McGuire Manufacturing Co., Inc.

60 Grandview Court
 Cheshire, Connecticut 06410
 (203) 699-1801 Fax (203) 699-1813
 customerservice@mcguiremfg.com mcguiremfg.com

Part No.

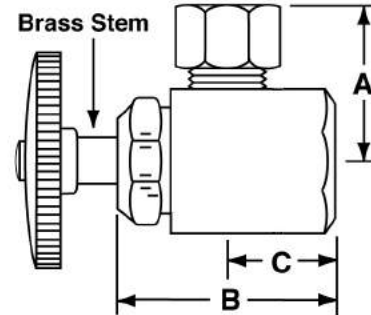
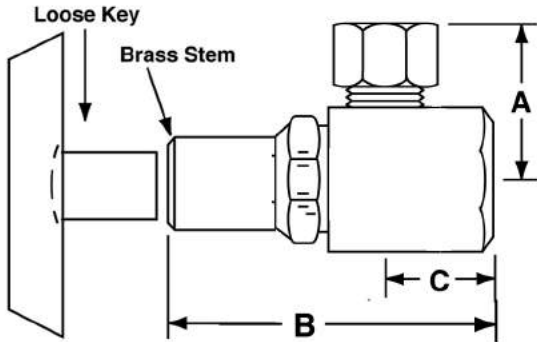
LFCK03

**Integral Check Valve
 IPS x Compression**

PRODUCT SPECIFICATION

Job Name:

Submittal Number:



NO.	DESCRIPTION	ROUGHING MEASUREMENTS		
		A	B	C
LFCK03	3/8" IPS x 1/2" OD, Wheel Handle	1-5/16"	1-1/2"	3/4"

- Rated Operating Pressure: 20-125 PSI
- Rated Operating Temperature: 40-140°F
- Note: 180°F max. during temporary high-temperature system flush

LK designates *Loose Key*

See options and accessories section for details on product variations.



Specifications:

Chrome plated brass supply stop valve with spring actuated integral check valve and full turn brass stem. Inlet shall be (3/8, 1/2) inch (IPS, sweat, compression). Outlet shall be (3/8, 1/2) inch (IPS, compression). Integral check supply stop valve shall be McGuire _____. Integral check supply stop valve shall be certified or recognized by testing authority and bear manufacturer and testing mark.



WARNING:

This product can expose you to chemicals including lead, which is known to the State of California to cause cancer, and birth defects or other reproductive harm. For more information go to www.P65Warnings.ca.gov.



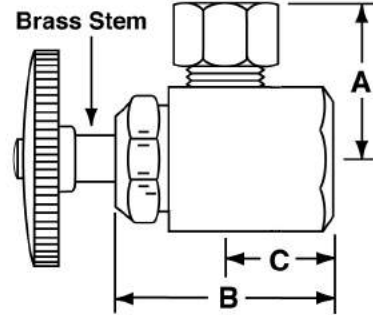
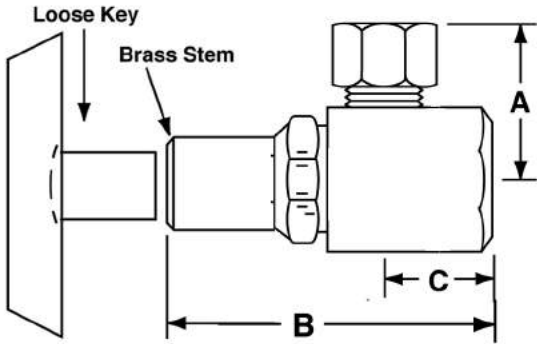
McGuire Manufacturing Co., Inc.

60 Grandview Court
 Cheshire, Connecticut 06410
 (203) 699-1801 Fax (203) 699-1813
 customerservice@mcguiremfg.com mcguiremfg.com

Part No.
LFCK03LK
Integral Check Valve IPS x Compression

PRODUCT SPECIFICATION

Job Name:	Submittal Number:
------------------	--------------------------



NO.	DESCRIPTION	ROUGHING MEASUREMENTS		
		A	B	C
LFCK03LK	3/8" IPS x 1/2" OD, Loose Key	1-5/16"	2-1/4"	3/4"

- Rated Operating Pressure: 20-125 PSI
- Rated Operating Temperature: 40-140°F
- Note: 180°F max. during temporary high-temperature system flush



LK designates *Loose Key*

See options and accessories section for details on product variations.

Specifications:

Chrome plated brass supply stop valve with spring actuated integral check valve and full turn brass stem. Inlet shall be (3/8, 1/2) inch (IPS, sweat, compression). Outlet shall be (3/8, 1/2) inch (IPS, compression). Integral check supply stop valve shall be McGuire _____. Integral check supply stop valve shall be certified or recognized by testing authority and bear manufacturer and testing mark.

WARNING:

This product can expose you to chemicals including lead, which is known to the State of California to cause cancer, and birth defects or other reproductive harm. For more information go to www.P65Warnings.ca.gov.



McGuire Manufacturing Co., Inc.

60 Grandview Court
 Cheshire, Connecticut 06410
 (203) 699-1801 Fax (203) 699-1813
 customerservice@mcguiremfg.com mcguiremfg.com

PRODUCT SPECIFICATION

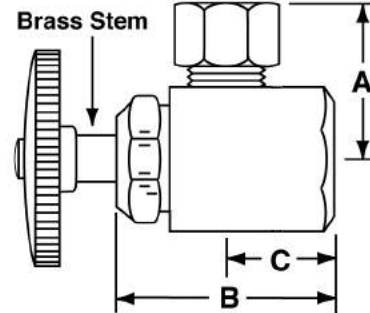
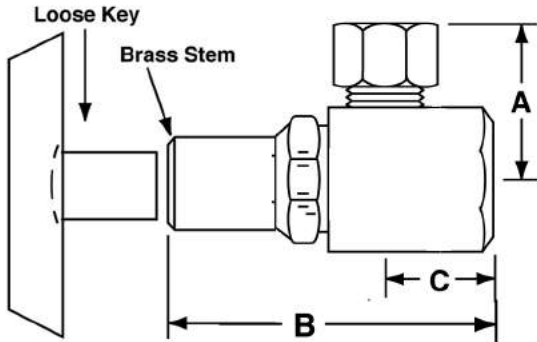
Part No.

LFCK04

**Integral Check Valve
 IPS x Compression**

Job Name:

Submittal Number:



NO.	DESCRIPTION	ROUGHING MEASUREMENTS		
		A	B	C
LFCK04	1/2" IPS x 1/2" OD, Wheel Handle	1-5/16"	1-1/2"	3/4"

- Rated Operating Pressure: 20-125 PSI
- Rated Operating Temperature: 40-140°F
- Note: 180°F max. during temporary high-temperature system flush

LK designates *Loose Key*

See options and accessories section for details on product variations.



Specifications:

Chrome plated brass supply stop valve with spring actuated integral check valve and full turn brass stem. Inlet shall be (3/8, 1/2) inch (IPS, sweat, compression). Outlet shall be (3/8, 1/2) inch (IPS, compression). Integral check supply stop valve shall be McGuire _____. Integral check supply stop valve shall be certified or recognized by testing authority and bear manufacturer and testing mark.



WARNING:

This product can expose you to chemicals including lead, which is known to the State of California to cause cancer, and birth defects or other reproductive harm. For more information go to www.P65Warnings.ca.gov.



McGuire Manufacturing Co., Inc.

60 Grandview Court
 Cheshire, Connecticut 06410
 (203) 699-1801 Fax (203) 699-1813
 customerservice@mcguiremfg.com mcguiremfg.com

Part No.

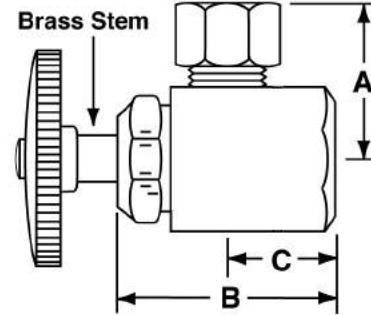
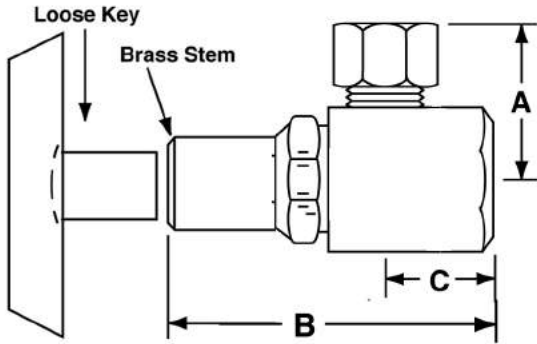
LFCK04LK

**Integral Check Valve
 IPS x Compression**

PRODUCT SPECIFICATION

Job Name:

Submittal Number:



NO.	DESCRIPTION	ROUGHING MEASUREMENTS		
		A	B	C
LFCK04LK	1/2" IPS x 1/2" OD Loose Key	1-5/16"	2-1/4"	3/4"

- Rated Operating Pressure: 20-125 PSI
- Rated Operating Temperature: 40-140°F
- Note: 180°F max. during temporary high-temperature system flush

LK designates *Loose Key*

See options and accessories section for details on product variations.



Certified to
 NSF/ANSI 61 & 372



ASME A112.18.3

Specifications:

Chrome plated brass supply stop valve with spring actuated integral check valve and full turn brass stem. Inlet shall be (3/8, 1/2) inch (IPS, sweat, compression). Outlet shall be (3/8, 1/2) inch (IPS, compression). Integral check supply stop valve shall be McGuire _____ . Integral check supply stop valve shall be certified or recognized by testing authority and bear manufacturer and testing mark.



WARNING:

This product can expose you to chemicals including lead, which is known to the State of California to cause cancer, and birth defects or other reproductive harm. For more information go to www.P65Warnings.ca.gov.



McGuire Manufacturing Co., Inc.
 60 Grandview Court
 Cheshire, Connecticut 06410
 (203) 699-1801 Fax (203) 699-1813
 customerservice@mcguiremfg.com mcguiremfg.com

PRODUCT SPECIFICATION

Part No.

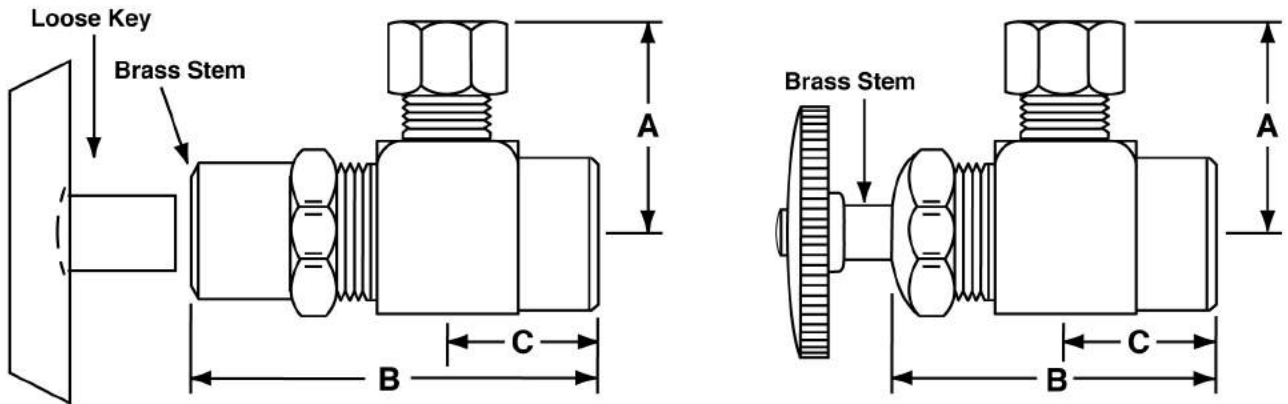
LFCK07

**Integral Check Valve
 Copper Sweat x O.D.**

Job Name:

Submittal Number:

Sweat to Compression



NO.	DESCRIPTION	ROUGHING MEASUREMENTS		
		A	B	C
LFCK07	1/2" Copper Sweat x 3/8" O.D.	1-3/8"	2"	1"

- Rated Operating Pressure: 20-125 PSI
- Rated Operating Temperature: 40-140°F
- Note: 180°F max. during temporary high-temperature system flush

LK designates *Loose Key*

See options and accessories section for details on product variations.



Specifications:

Chrome plated brass supply stop valve with spring actuated integral check valve and full turn brass stem. Inlet shall be (3/8, 1/2) inch (IPS, sweat, compression). Outlet shall be (3/8, 1/2) inch (IPS, compression). Integral check supply stop valve shall be McGuire _____.

Integral check supply stop valve shall be certified or recognized by testing authority and bear manufacturer and testing mark.

WARNING:

This product can expose you to chemicals including lead, which is known to the State of California to cause cancer, and birth defects or other reproductive harm. For more information go to www.P65Warnings.ca.gov.



McGuire Manufacturing Co., Inc.
 60 Grandview Court
 Cheshire, Connecticut 06410
 (203) 699-1801 Fax (203) 699-1813
 customerservice@mcguiremfg.com mcguiremfg.com

PRODUCT SPECIFICATION

Part No.

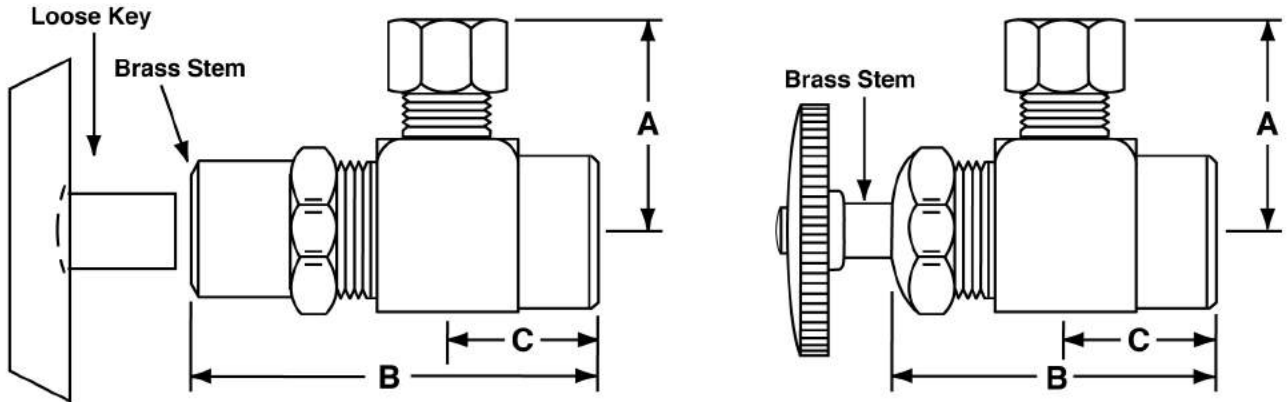
LFCK07LK

**Integral Check Valve
 Copper Sweat x O.D.**

Job Name:

Submittal Number:

Sweat to Compression



NO.	DESCRIPTION	ROUGHING MEASUREMENTS		
		A	B	C
LFCK07LK	1/2" Copper Sweat x 3/8" O.D.	1-3/8"	2"	1"

- Rated Operating Pressure: 20-125 PSI
- Rated Operating Temperature: 40-140°F
- Note: 180°F max. during temporary high-temperature system flush

LK designates *Loose Key*

See options and accessories section for details on product variations.



Specifications:

Chrome plated brass supply stop valve with spring actuated integral check valve and full turn brass stem. Inlet shall be (3/8, 1/2) inch (IPS, sweat, compression). Outlet shall be (3/8, 1/2) inch (IPS, compression). Integral check supply stop valve shall be McGuire _____.

Integral check supply stop valve shall be certified or recognized by testing authority and bear manufacturer and testing mark.



WARNING:

This product can expose you to chemicals including lead, which is known to the State of California to cause cancer, and birth defects or other reproductive harm. For more information go to www.P65Warnings.ca.gov.



McGuire Manufacturing Co., Inc.

60 Grandview Court
Cheshire, Connecticut 06410
(203) 699-1801 Fax (203) 699-1813
customerservice@mcguiremfg.com mcguiremfg.com

PRODUCT SPECIFICATION

Part No.

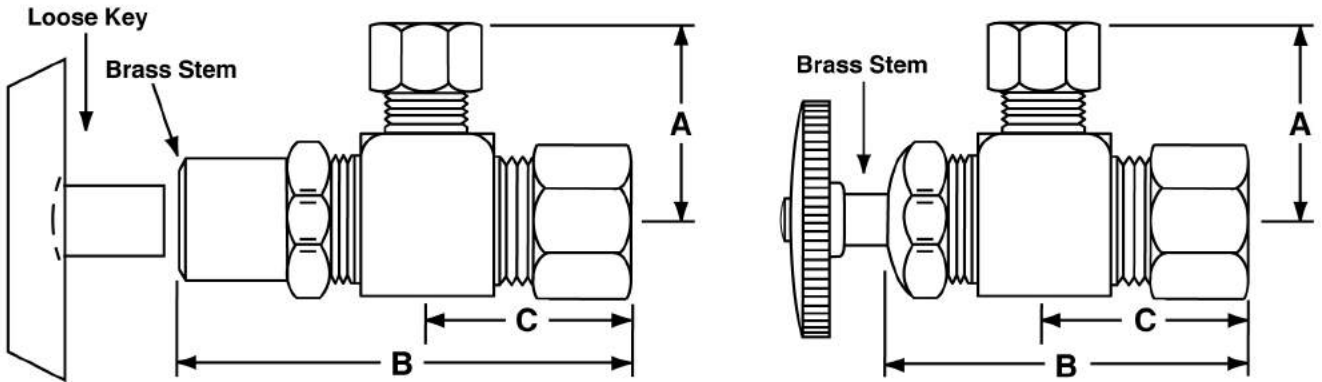
LFCK09

**Integral Check Valve
Nominal x O.D.**

Job Name:

Submittal Number:

Compression to Compression



NO.	DESCRIPTION	ROUGHING MEASUREMENTS		
		A	B	C
LFCK09	1/2" Nominal x 3/8" O.D.	1-3/8"	2-1/4"	1-3/8"

- Rated Operating Pressure: 20-125 PSI
- Rated Operating Temperature: 40-140°F
- Note: 180°F max. during temporary high-temperature system flush

LK designates *Loose Key*

See options and accessories section for details on product variations.



Specifications:

Chrome plated brass supply stop valve with spring actuated integral check valve and full turn brass stem. Inlet shall be (3/8, 1/2) inch (IPS, sweat, compression). Outlet shall be (3/8, 1/2) inch (IPS, compression). Integral check supply stop valve shall be McGuire _____.

Integral check supply stop valve shall be certified or recognized by testing authority and bear manufacturer and testing mark.

! WARNING:

This product can expose you to chemicals including lead, which is known to the State of California to cause cancer, and birth defects or other reproductive harm. For more information go to www.P65Warnings.ca.gov.



McGuire Manufacturing Co., Inc.

60 Grandview Court
Cheshire, Connecticut 06410
(203) 699-1801 Fax (203) 699-1813
customerservice@mcguiremfg.com mcguiremfg.com

PRODUCT SPECIFICATION

Part No.

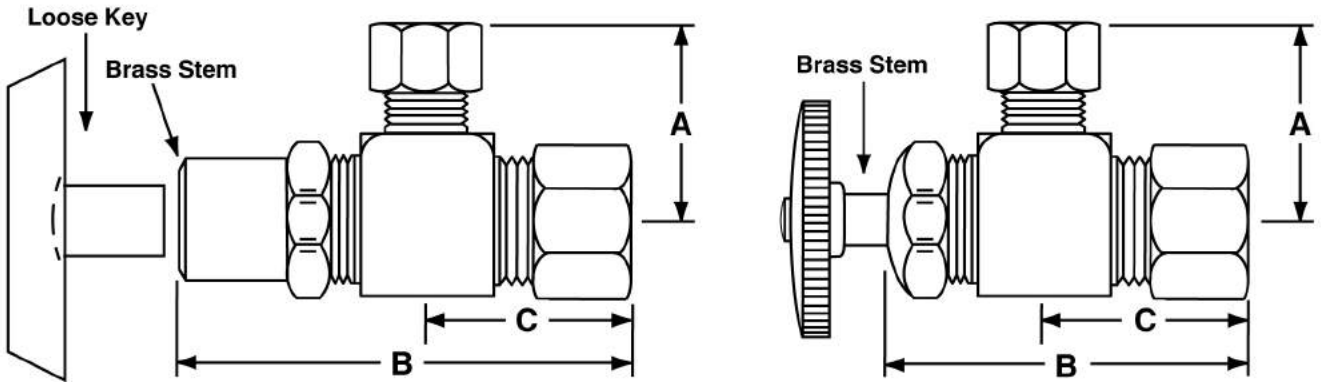
LFCK09LK

**Integral Check Valve
Nominal x O.D.**

Job Name:

Submittal Number:

Compression to Compression



NO.	DESCRIPTION	ROUGHING MEASUREMENTS		
		A	B	C
LFCK09LK	1/2" Nominal x 3/8" O.D.	1-3/8"	2-1/4"	1-3/8"

- Rated Operating Pressure: 20-125 PSI
- Rated Operating Temperature: 40-140°F
- Note: 180°F max. during temporary high-temperature system flush

LK designates *Loose Key*

See options and accessories section for details on product variations.



Specifications:

Chrome plated brass supply stop valve with spring actuated integral check valve and full turn brass stem. Inlet shall be (3/8, 1/2) inch (IPS, sweat, compression). Outlet shall be (3/8, 1/2) inch (IPS, compression). Integral check supply stop valve shall be McGuire _____.

Integral check supply stop valve shall be certified or recognized by testing authority and bear manufacturer and testing mark.

! WARNING:

This product can expose you to chemicals including lead, which is known to the State of California to cause cancer, and birth defects or other reproductive harm. For more information go to www.P65Warnings.ca.gov.

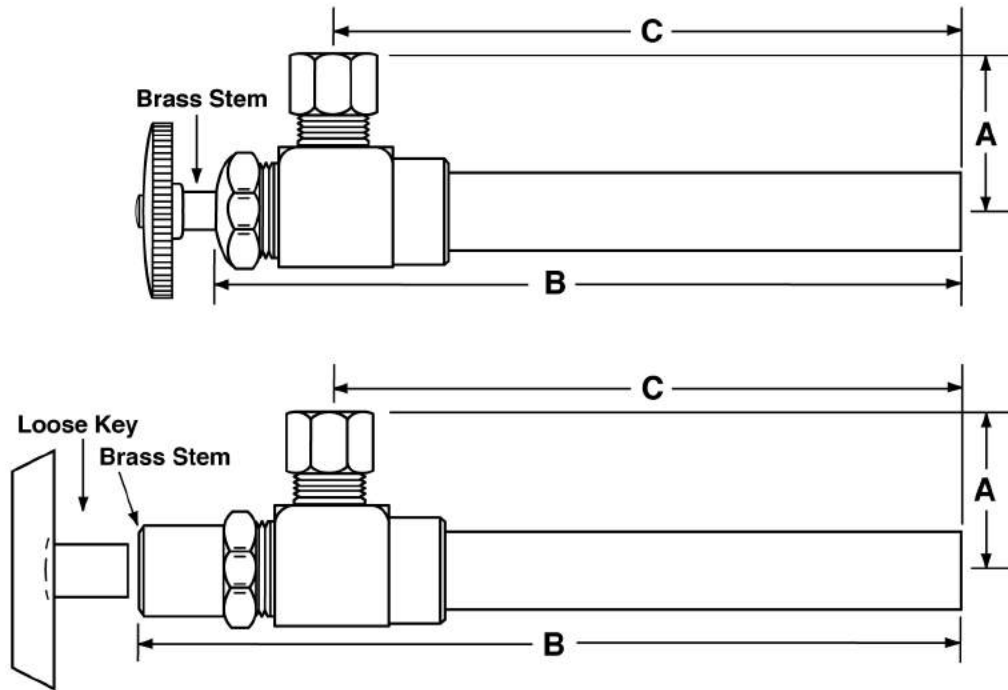


McGuire Manufacturing Co., Inc.
 60 Grandview Court
 Cheshire, Connecticut 06410
 (203) 699-1801 Fax (203) 699-1813
 customerservice@mcguiremfg.com mcguiremfg.com
PRODUCT SPECIFICATION

Part No.
LFCK082
Integral Check Valve
Copper Sweat x O.D.

Job Name: _____ **Submittal Number:** _____

Sweat with 5" Extension to Compression

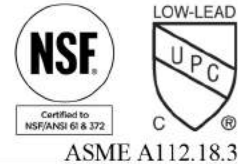


NO.	DESCRIPTION	ROUGHING MEASUREMENTS		
		A	B	C
LFCK082	1/2" Copper Sweat x 3/8" O.D.	1-3/8"	7-7/16"	5-3/4"

- Rated Operating Pressure: 20-125 PSI
- Rated Operating Temperature: 40-140°F
- Note: 180°F max. during temporary high-temperature system flush

LK designates *Loose Key*

* See options and accessories section for details on product variations.



Specifications:

Chrome plated brass supply stop valve with spring actuated integral check valve and full turn brass stem. Inlet shall be (3/8, 1/2) inch (IPS, sweat, compression). Outlet shall be (3/8, 1/2) inch (IPS, compression). Integral check supply stop valve shall be McGuire _____
 Integral check supply stop valve shall be certified or recognized by testing authority and bear

! WARNING:

This product can expose you to chemicals including lead, which is known to the State of California to cause cancer, and birth defects or other reproductive harm. For more information go to www.P65Warnings.ca.gov.



McGuire Manufacturing Co., Inc.

60 Grandview Court
 Cheshire, Connecticut 06410
 (203) 699-1801 Fax (203) 699-1813
 customerservice@mcguiremfg.com mcguiremfg.com

PRODUCT SPECIFICATION

Part No.

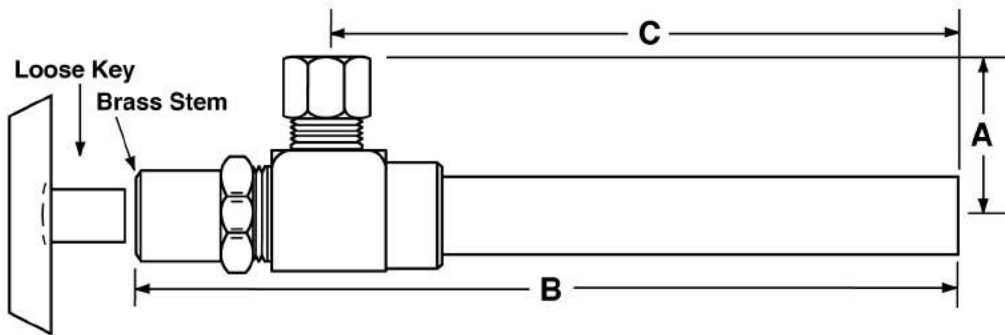
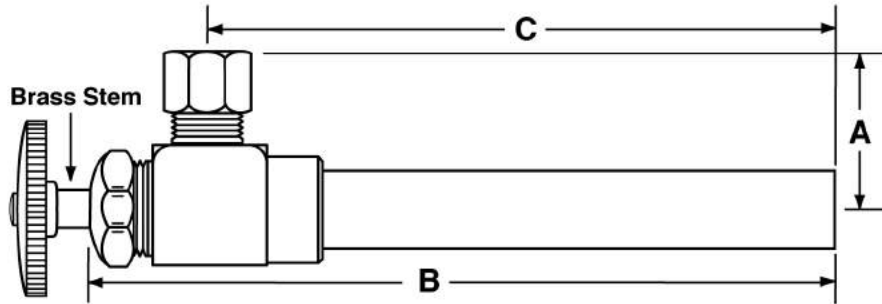
LFCK082LK

**Integral Check Valve
 Copper Sweat x O.D.**

Job Name:

Submittal Number:

Sweat with 5" Extension to Compression



NO.	DESCRIPTION	ROUGHING MEASUREMENTS		
		A	B	C
LFCK082LK	1/2" Copper Sweat x 3/8" O.D.	1-3/8"	7-7/16"	5-3/4"

- Rated Operating Pressure: 20-125 PSI
- Rated Operating Temperature: 40-140°F
- Note: 180°F max. during temporary high-temperature system flush

LK designates *Loose Key*

* See options and accessories section for details on product variations.



Specifications:

Chrome plated brass supply stop valve with spring actuated integral check valve and full turn brass stem. Inlet shall be (3/8, 1/2) inch (IPS, sweat, compression). Outlet shall be (3/8, 1/2) inch (IPS, compression). Integral check supply stop valve shall be McGuire _____
 Integral check supply stop valve shall be certified or recognized by testing authority and bear



WARNING:

This product can expose you to chemicals including lead, which is known to the State of California to cause cancer, and birth defects or other reproductive harm. For more information go to www.P65Warnings.ca.gov.



McGuire Manufacturing Co., Inc.

60 Grandview Court
 Cheshire, Connecticut 06410
 (203) 699-1801 Fax (203) 699-1813
 customerservice@mcguiremfg.com mcguiremfg.com

PRODUCT SPECIFICATION

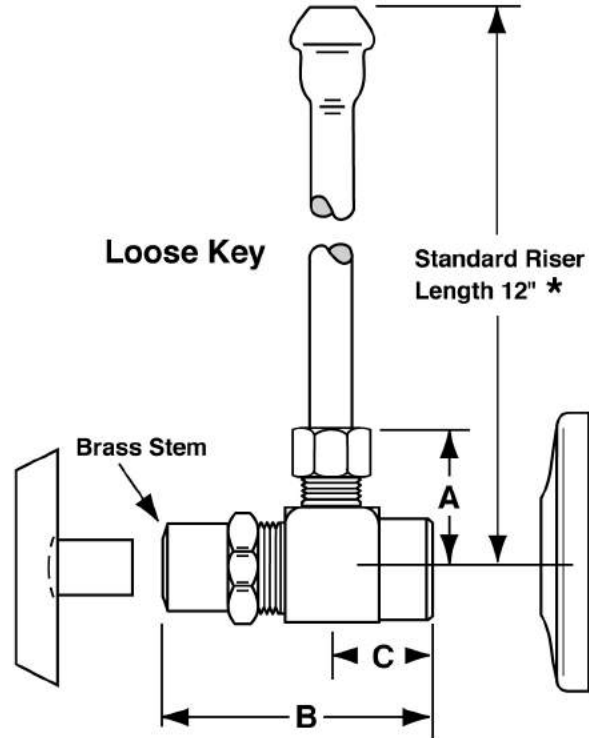
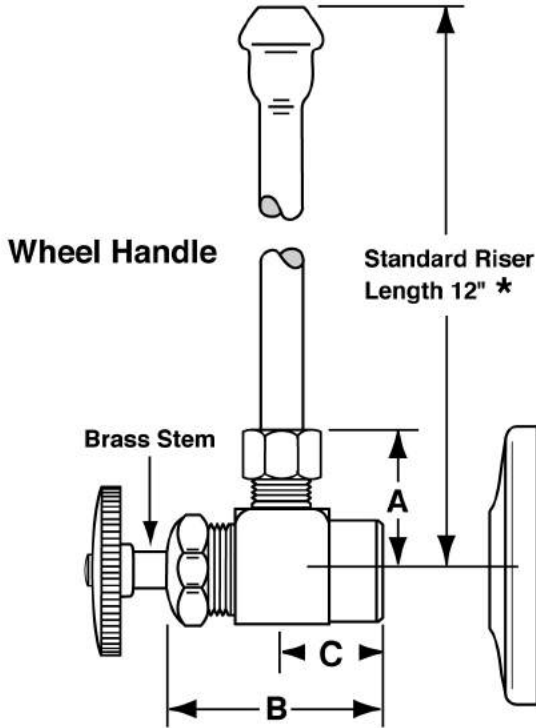
Part No.

LFCK165

**Integral Check Supply Kit
 3/8" I.P.S. x O.D.**

Job Name: _____

Submittal Number: _____



NO.	DESCRIPTION	ROUGHING MEASUREMENTS		
		A	B	C
LFCK165	3/8" I.P.S. x 3/8" O.D.	1-3/8"	1-15/16"	1"

LK designates Loose Key

* See options and accessories section for details on product variations.



Specifications:

Supply kit shall include lead free integral check chrome plated supply stop valves with full turn brass stem, no plastic, (12, 15, 20) inch chrome plated risers and (shallow, deep, bell) (steel, brass) or (forged brass with set screw) flange. Inlet shall be 3/8 inch IPS. Outlet shall be 3/8 inch compression. Supply kit shall be McGuire _____ . Supply shall be certified by recognized authority and bear manufacturer and testing mark.



WARNING:

This product can expose you to chemicals including lead, which is known to the State of California to cause cancer, and birth defects or other reproductive harm. For more information go to www.P65Warnings.ca.gov.



McGuire Manufacturing Co., Inc.

60 Grandview Court
Cheshire, Connecticut 06410
(203) 699-1801 Fax (203) 699-1813
customerservice@mcguiremfg.com mcguiremfg.com

PRODUCT SPECIFICATION

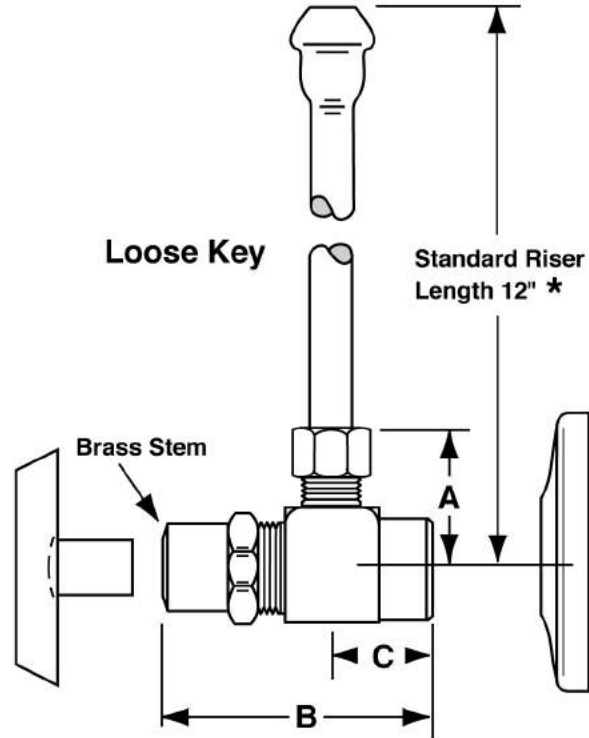
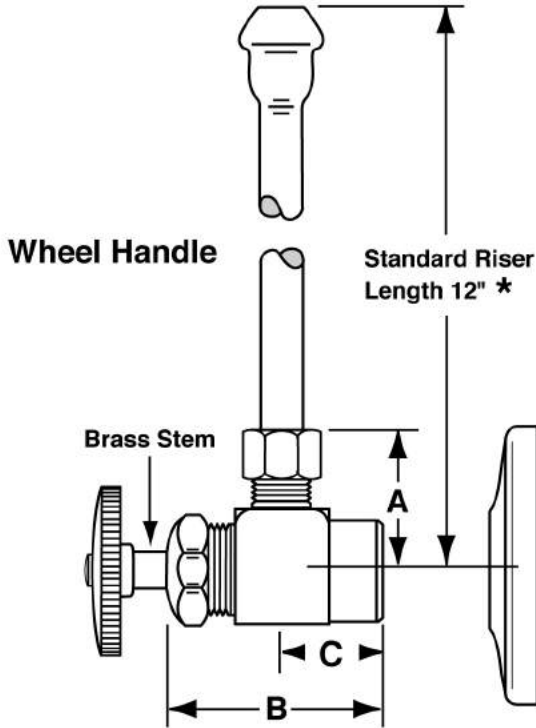
Part No.

LFCK165EA

Integral Check Supply Kit
3/8" I.P.S. x O.D.

Job Name:

Submittal Number:



NO.	DESCRIPTION	ROUGHING MEASUREMENTS		
		A	B	C
LFCK165EA	3/8" I.P.S. x 3/8" O.D.	1-3/8"	1-15/16"	1"

LK designates Loose Key

* See options and accessories section for details on product variations.



Specifications:

Supply kit shall include lead free integral check chrome plated supply stop valves with full turn brass stem, no plastic, (12, 15, 20) inch chrome plated risers and (shallow, deep, bell) (steel, brass) or (forged brass with set screw) flange. Inlet shall be 3/8 inch IPS. Outlet shall be 3/8 inch compression. Supply kit shall be McGuire _____ . Supply shall be certified by recognized authority and bear manufacturer and testing mark.



WARNING:

This product can expose you to chemicals including lead, which is known to the State of California to cause cancer, and birth defects or other reproductive harm. For more information go to www.P65Warnings.ca.gov.



McGuire Manufacturing Co., Inc.

60 Grandview Court
 Cheshire, Connecticut 06410
 (203) 699-1801 Fax (203) 699-1813
 customerservice@mcguiremfg.com mcguiremfg.com

PRODUCT SPECIFICATION

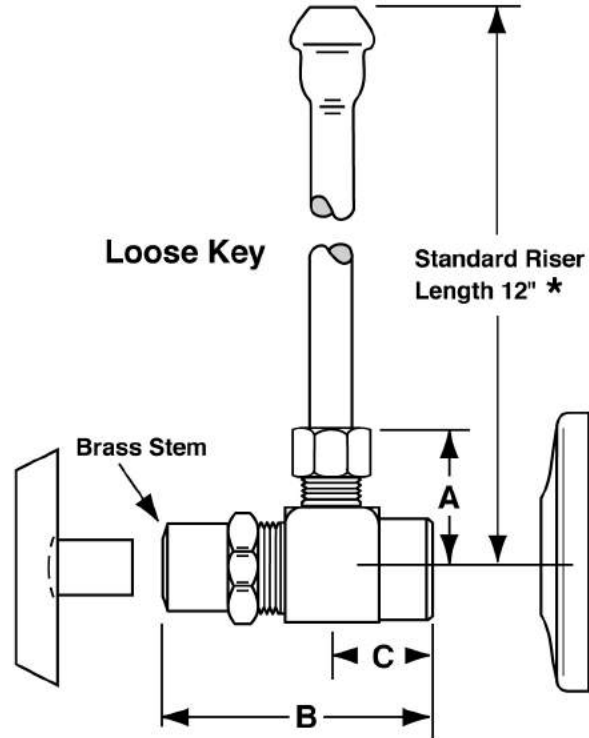
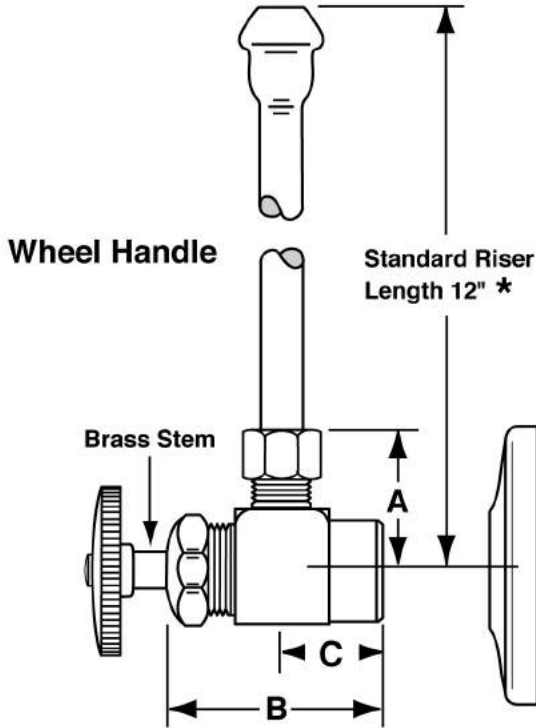
Part No.

LFCK165LK

**Integral Check Supply Kit
 3/8" I.P.S. x O.D.**

Job Name: _____

Submittal Number: _____



NO.	DESCRIPTION	ROUGHING MEASUREMENTS		
		A	B	C
LFCK165LK	3/8" I.P.S. x 3/8" O.D.	1-3/8"	1-15/16"	1"

- Rated Operating Pressure: 20-125 PSI
- Rated Operating Temperature: 40-140°F
- Note: 180°F max. during temporary high-temperature system flush

LK designates Loose Key

* See options and accessories section for details on product variations.



Specifications:

Supply kit shall include lead free integral check chrome plated supply stop valves with full turn brass stem, no plastic, (12, 15, 20) inch chrome plated risers and (shallow, deep, bell) (steel, brass) or (forged brass with set screw) flange. Inlet shall be 3/8 inch IPS. Outlet shall be 3/8 inch compression. Supply kit shall be McGuire _____ . Supply shall be certified by recognized authority and bear manufacturer and testing mark.

! WARNING:

This product can expose you to chemicals including lead, which is known to the State of California to cause cancer, and birth defects or other reproductive harm. For more information go to www.P65Warnings.ca.gov.



McGuire Manufacturing Co., Inc.

60 Grandview Court
 Cheshire, Connecticut 06410
 (203) 699-1801 Fax (203) 699-1813
 customerservice@mcguiremfg.com mcguiremfg.com

PRODUCT SPECIFICATION

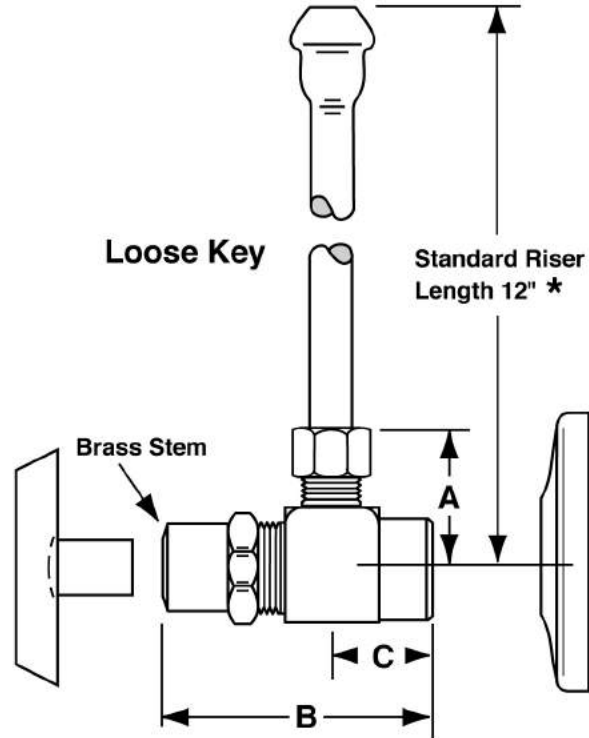
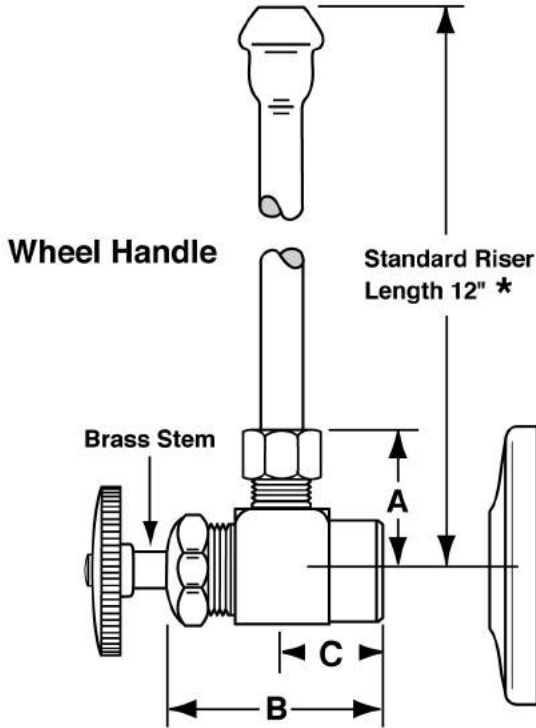
Part No.

LFCK165LKEA

Integral Check Supply Kit
 3/8" I.P.S. x O.D.

Job Name: _____

Submittal Number: _____



NO.	DESCRIPTION	ROUGHING MEASUREMENTS		
		A	B	C
LFCK165LKEA	3/8" I.P.S. x 3/8" O.D.	1-3/8"	1-15/16"	1"

LK designates Loose Key

* See options and accessories section for details on product variations.



Specifications:

Supply kit shall include lead free integral check chrome plated supply stop valves with full turn brass stem, no plastic, (12, 15, 20) inch chrome plated risers and (shallow, deep, bell) (steel, brass) or (forged brass with set screw) flange. Inlet shall be 3/8 inch IPS. Outlet shall be 3/8 inch compression. Supply kit shall be McGuire _____ . Supply shall be certified by recognized authority and bear manufacturer and testing mark.



WARNING:

This product can expose you to chemicals including lead, which is known to the State of California to cause cancer, and birth defects or other reproductive harm. For more information go to www.P65Warnings.ca.gov.



McGuire Manufacturing Co., Inc.

60 Grandview Court
 Cheshire, Connecticut 06410
 (203) 699-1801 Fax (203) 699-1813
 customerservice@mcguiremfg.com mcguiremfg.com

PRODUCT SPECIFICATION

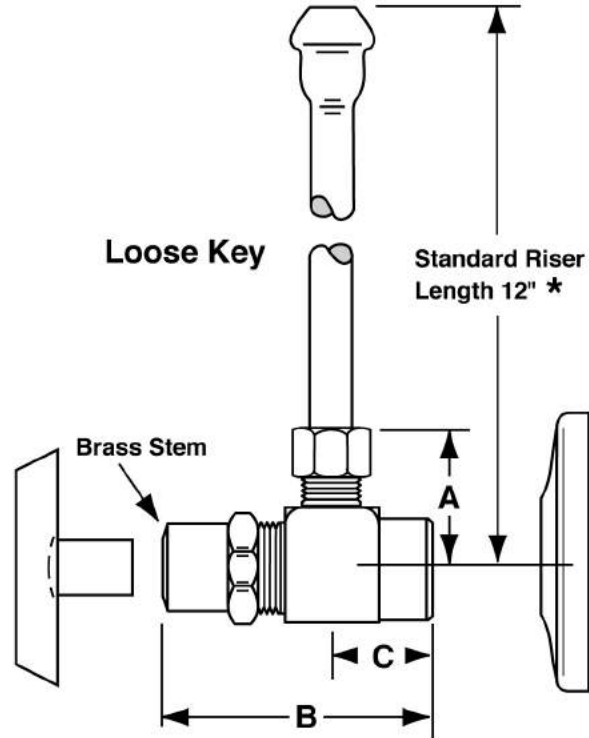
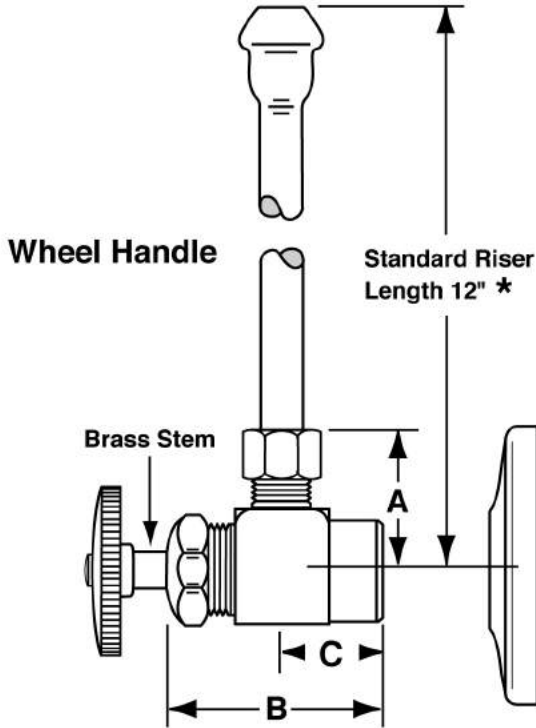
Part No.

LFCK167

**Integral Check Supply Kit
 3/8" I.P.S. x O.D.**

Job Name: _____

Submittal Number: _____



NO.	DESCRIPTION	ROUGHING MEASUREMENTS		
		A	B	C
LFCK167	3/8" I.P.S. x 1/2" O.D.	1-3/8"	1-15/16"	1"

LK designates Loose Key

* See options and accessories section for details on product variations.



Specifications:

Supply kit shall include lead free chrome plated integral check supply stop valves with full turn brass stem, no plastic, (12, 15, 20) inch chrome plated risers and (shallow, deep, bell) (steel, brass) or (forged brass with set screw) flange. Inlet shall be 3/8 inch IPS. Outlet shall be 3/8 inch compression. Supply kit shall be McGuire _____ . Supply shall be certified by recognized authority and bear manufacturer and testing mark.



WARNING:

This product can expose you to chemicals including lead, which is known to the State of California to cause cancer, and birth defects or other reproductive harm. For more information go to www.P65Warnings.ca.gov.



McGuire Manufacturing Co., Inc.

60 Grandview Court
 Cheshire, Connecticut 06410
 (203) 699-1801 Fax (203) 699-1813
 customerservice@mcguiremfg.com mcguiremfg.com

PRODUCT SPECIFICATION

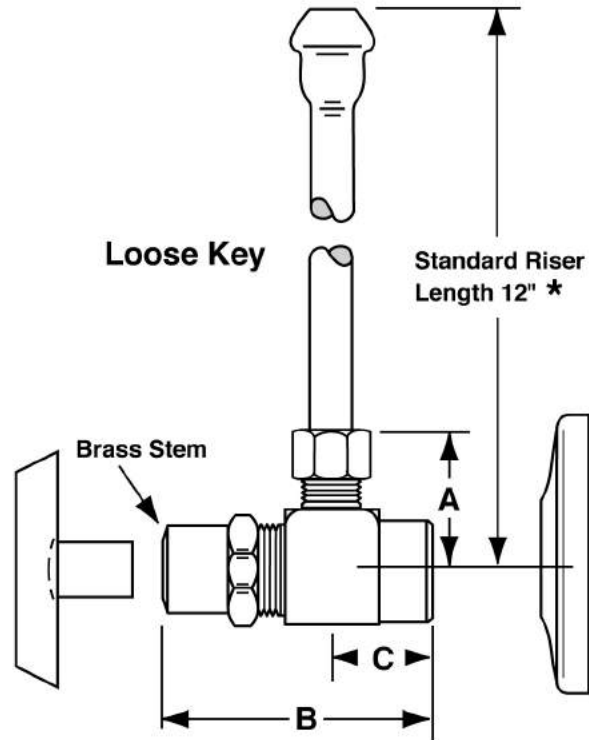
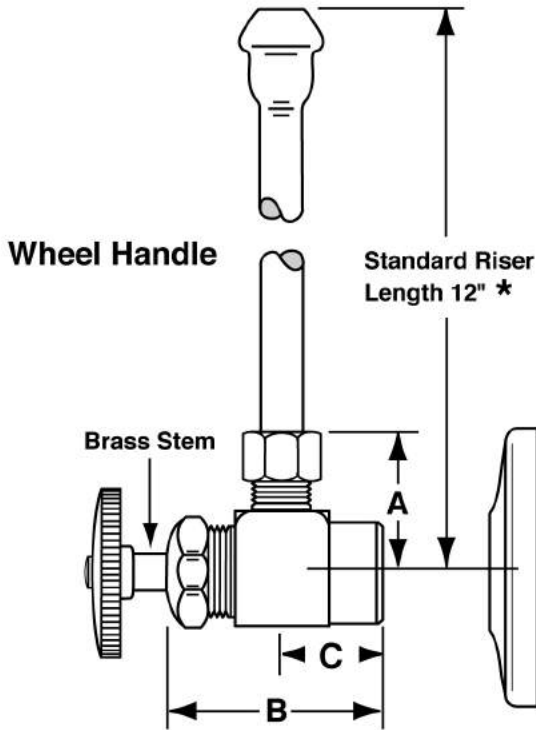
Part No.

LFCK167EA

**Integral Check Supply Kit
 3/8" I.P.S. x O.D.**

Job Name: _____

Submittal Number: _____



NO.	DESCRIPTION	ROUGHING MEASUREMENTS		
		A	B	C
LFCK167EA	3/8" I.P.S. x 1/2" O.D.	1-3/8"	1-15/16"	1"

LK designates Loose Key

* See options and accessories section for details on product variations.



Specifications:

Supply kit shall include lead free chrome plated integral check supply stop valves with full turn brass stem, no plastic, (12, 15, 20) inch chrome plated risers and (shallow, deep, bell) (steel, brass) or (forged brass with set screw) flange. Inlet shall be 3/8 inch IPS. Outlet shall be 3/8 inch compression. Supply kit shall be McGuire _____ . Supply shall be certified by recognized authority and bear manufacturer and testing mark.

! WARNING:

This product can expose you to chemicals including lead, which is known to the State of California to cause cancer, and birth defects or other reproductive harm. For more information go to www.P65Warnings.ca.gov.



McGuire Manufacturing Co., Inc.

60 Grandview Court
 Cheshire, Connecticut 06410
 (203) 699-1801 Fax (203) 699-1813
 customerservice@mcguiremfg.com mcguiremfg.com

PRODUCT SPECIFICATION

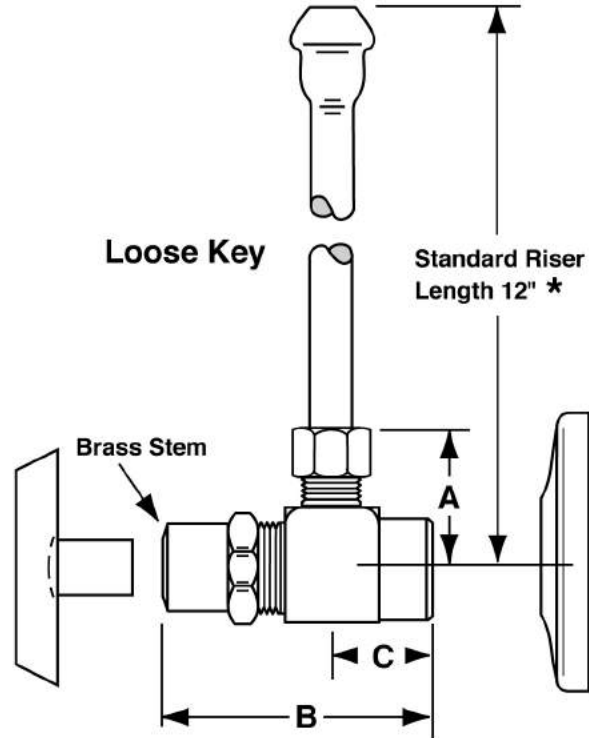
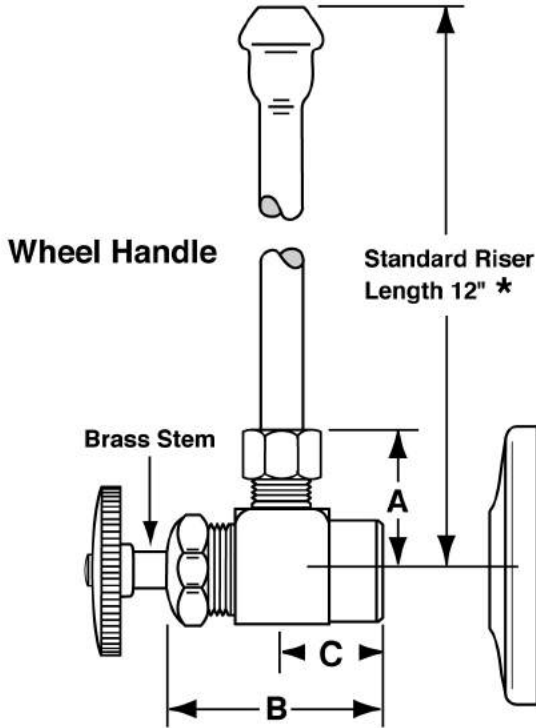
Part No.

LFCK167LK

**Integral Check Supply Kit
 3/8" I.P.S. x O.D.**

Job Name:

Submittal Number:



NO.	DESCRIPTION	ROUGHING MEASUREMENTS		
		A	B	C
LFCK167LK	3/8" I.P.S. x 1/2" O.D.	1-3/8"	1-15/16"	1"

LK designates Loose Key

* See options and accessories section for details on product variations.



Specifications:

Supply kit shall include lead free chrome plated integral check supply stop valves with full turn brass stem, no plastic, (12, 15, 20) inch chrome plated risers and (shallow, deep, bell) (steel, brass) or (forged brass with set screw) flange. Inlet shall be 3/8 inch IPS. Outlet shall be 3/8 inch compression. Supply kit shall be McGuire _____ . Supply shall be certified by recognized authority and bear manufacturer and testing mark.



WARNING:
 This product can expose you to chemicals including lead, which is known to the State of California to cause cancer, and birth defects or other reproductive harm. For more information go to www.P65Warnings.ca.gov.



McGuire Manufacturing Co., Inc.

60 Grandview Court
 Cheshire, Connecticut 06410
 (203) 699-1801 Fax (203) 699-1813
 customerservice@mcguiremfg.com mcguiremfg.com

PRODUCT SPECIFICATION

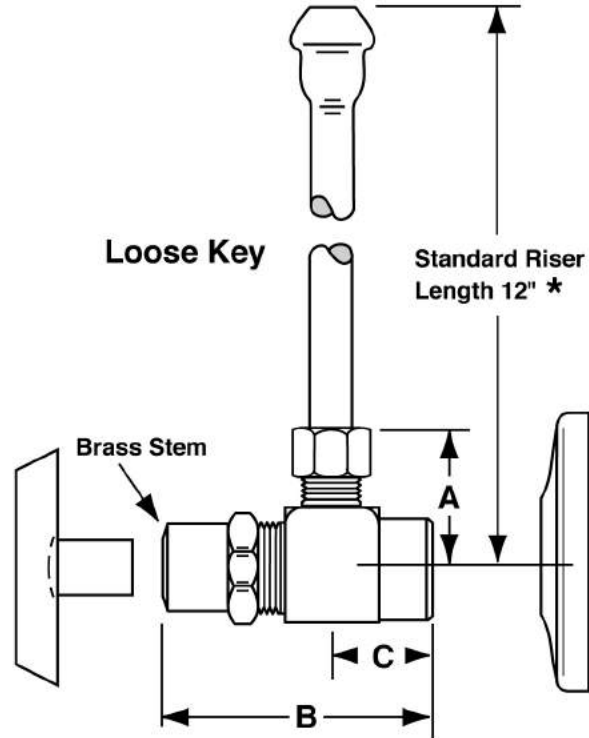
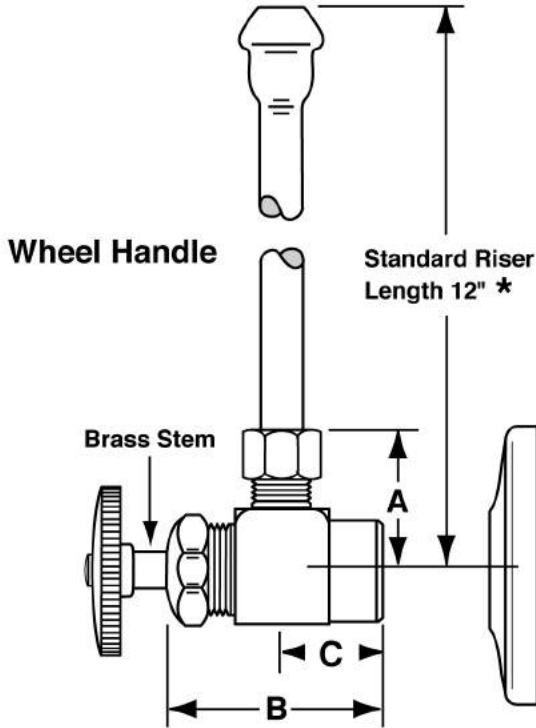
Part No.

LFCK167LKEA

**Integral Check Supply Kit
 3/8" I.P.S. x O.D.**

Job Name: _____

Submittal Number: _____



NO.	DESCRIPTION	ROUGHING MEASUREMENTS		
		A	B	C
LFCK167LKEA	3/8" I.P.S. x 1/2" O.D.	1-3/8"	1-15/16"	1"

LK designates Loose Key

* See options and accessories section for details on product variations.



Specifications:

Supply kit shall include lead free chrome plated integral check supply stop valves with full turn brass stem, no plastic, (12, 15, 20) inch chrome plated risers and (shallow, deep, bell) (steel, brass) or (forged brass with set screw) flange. Inlet shall be 3/8 inch IPS. Outlet shall be 3/8 inch compression. Supply kit shall be McGuire _____ . Supply shall be certified by recognized authority and bear manufacturer and testing mark.



WARNING:
 This product can expose you to chemicals including lead, which is known to the State of California to cause cancer, and birth defects or other reproductive harm. For more information go to www.P65Warnings.ca.gov.



McGuire Manufacturing Co., Inc.

60 Grandview Court
 Cheshire, Connecticut 06410
 (203) 699-1801 Fax (203) 699-1813
 customerservice@mcguiremfg.com mcguiremfg.com

PRODUCT SPECIFICATION

Part No.

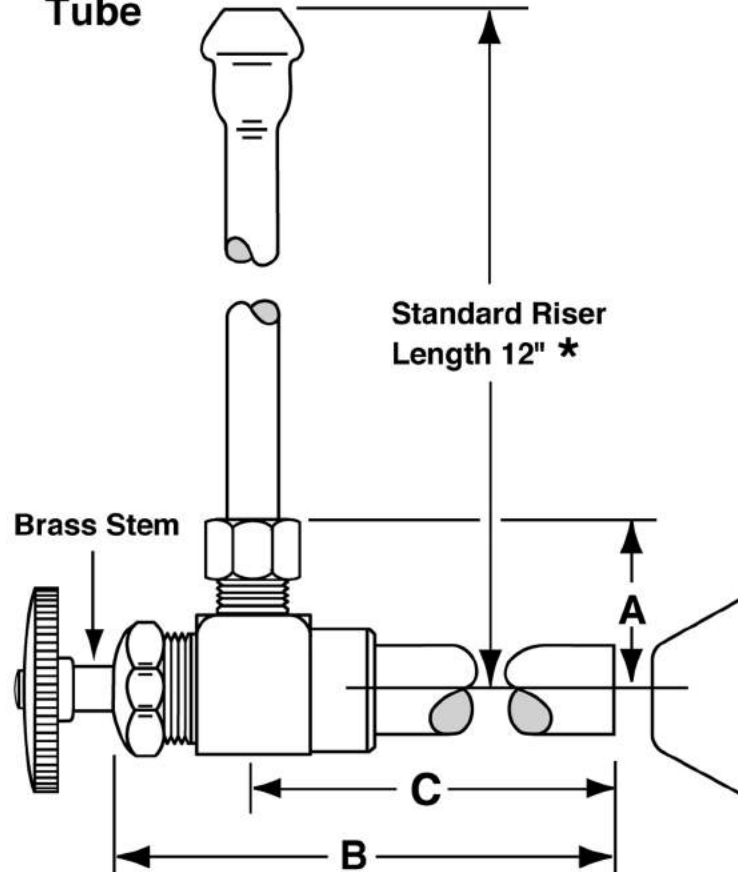
LFCK170

**Integral Check Supply Kit
 w/5" Sweat Extension**

Job Name:

Submittal Number:

**Wheel Handle
 w/ 5" Extension
 Tube**



NO.	DESCRIPTION	ROUGHING MEASUREMENTS		
		A	B	C
LFCK170	1/2" Sweat x 3/8" O.D.	1"	6-1/4"	5-1/2"

LK designates *Loose Key*

* See options and accessories section for details on product variations.



Specifications:

Supply kit shall include lead free chrome plated brass integral check supply stop valves with full tum brass stem, no plastic, (12, 15, 20) inch chrome plated risers and (shallow, deep, bell) (steel, brass) or (forged brass with set screw) flange. Inlet shall be 1/2 inch (IPS, sweat, compression). Outlet shall be 3/8 inch (IPS, compression). Supply kit shall be McGuire _____. Supply shall be certified by recognized authority and bear manufacturer and testing mark.



WARNING:

This product can expose you to chemicals including lead, which is known to the State of California to cause cancer, and birth defects or other reproductive harm. For more information go to www.P65Warnings.ca.gov.



McGuire Manufacturing Co., Inc.

60 Grandview Court
 Cheshire, Connecticut 06410
 (203) 699-1801 Fax (203) 699-1813
 customerservice@mcguiremfg.com mcguiremfg.com

PRODUCT SPECIFICATION

Part No.

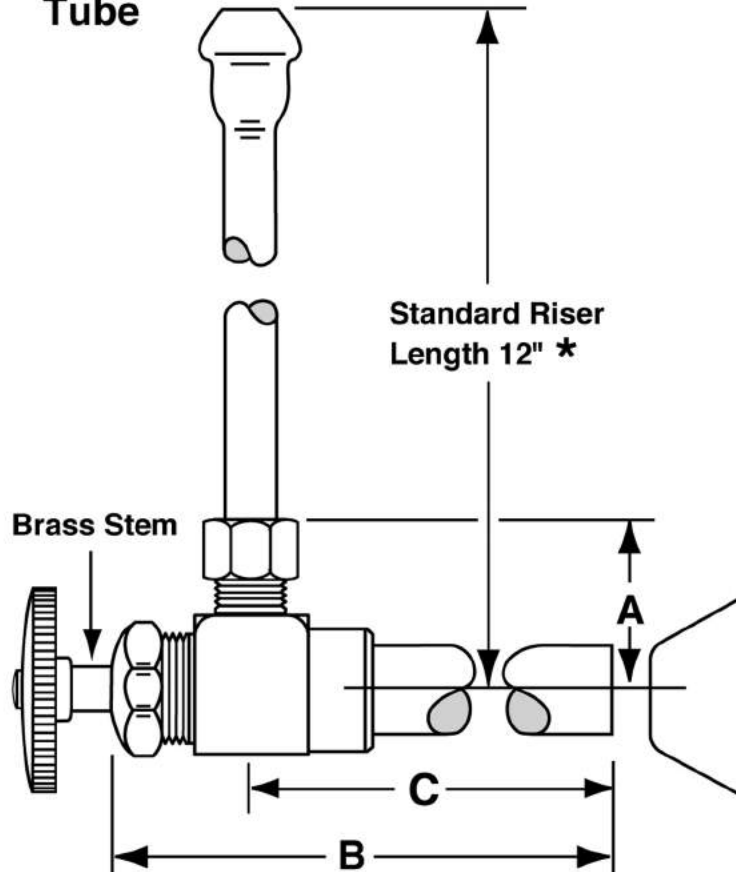
LFCK170EA

**Integral Check Supply Kit
 w/5" Sweat Extension**

Job Name:

Submittal Number:

**Wheel Handle
 w/ 5" Extension
 Tube**



NO.	DESCRIPTION	ROUGHING MEASUREMENTS		
		A	B	C
LFCK170EA	1/2" Sweat x 3/8" O.D.	1"	6-1/4"	5-1/2"

LK designates *Loose Key*

* See options and accessories section for details on product variations.



Specifications:

Supply kit shall include lead free chrome plated brass integral check supply stop valves with full tum brass stem, no plastic, (12, 15, 20) inch chrome plated risers and (shallow, deep, bell) (steel, brass) or (forged brass with set screw) flange. Inlet shall be 1/2 inch (IPS, sweat, compression). Outlet shall be 3/8 inch (IPS, compression). Supply kit shall be McGuire _____ . Supply shall be certified by recognized authority and bear manufacturer and testing mark.



WARNING:

This product can expose you to chemicals including lead, which is known to the State of California to cause cancer, and birth defects or other reproductive harm. For more information go to www.P65Warnings.ca.gov.



McGuire Manufacturing Co., Inc.

60 Grandview Court
 Cheshire, Connecticut 06410
 (203) 699-1801 Fax (203) 699-1813
 customerservice@mcguiremfg.com mcguiremfg.com

PRODUCT SPECIFICATION

Part No.

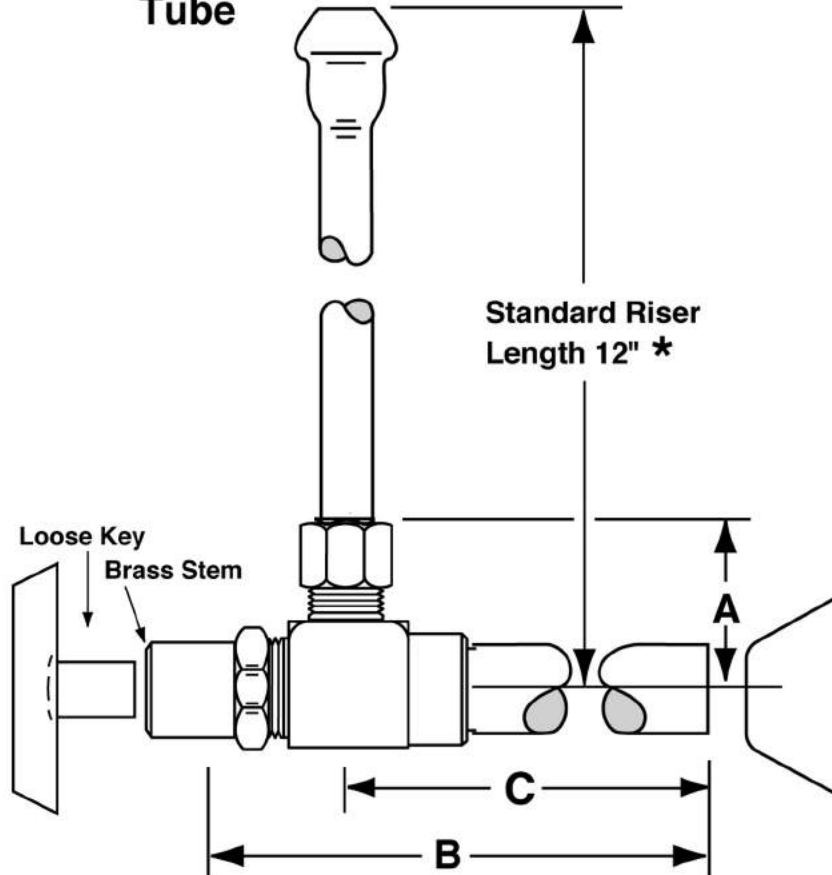
LFCK170LK

**Integral Check Supply Kit
 w/5" Sweat Extension**

Job Name:

Submittal Number:

**Wheel Handle
 w/ 5" Extension
 Tube**



NO.	DESCRIPTION	ROUGHING MEASUREMENTS		
		A	B	C
LFCK170LK	1/2" Sweat x 3/8" O.D.	1"	6-1/4"	5-1/2"

LK designates *Loose Key*

* See options and accessories section for details on product variations.



Specifications:

Supply kit shall include lead free chrome plated brass integral check supply stop valves with full tum brass stem, no plastic, (12, 15, 20) inch chrome plated risers and (shallow, deep, bell) (steel, brass) or (forged brass with set screw) flange. Inlet shall be 1/2 inch (IPS, sweat, compression). Outlet shall be 3/8 inch (IPS, compression). Supply kit shall be McGuire _____. Supply shall be certified by recognized authority and bear manufacturer and testing mark.

! WARNING:

This product can expose you to chemicals including lead, which is known to the State of California to cause cancer, and birth defects or other reproductive harm. For more information go to www.P65Warnings.ca.gov.



McGuire Manufacturing Co., Inc.

60 Grandview Court
 Cheshire, Connecticut 06410
 (203) 699-1801 Fax (203) 699-1813
 customerservice@mcguiremfg.com mcguiremfg.com

PRODUCT SPECIFICATION

Part No.

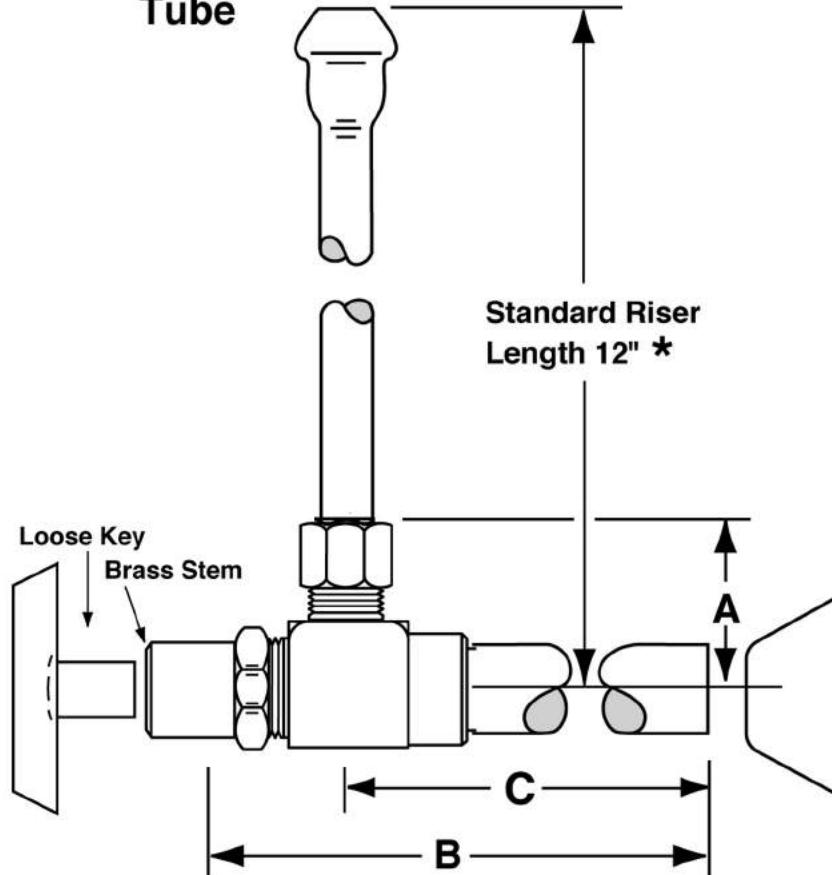
LFCK170LKEA

**Integral Check Supply Kit
 w/5" Sweat Extension**

Job Name:

Submittal Number:

**Wheel Handle
 w/ 5" Extension
 Tube**



NO.	DESCRIPTION	ROUGHING MEASUREMENTS		
		A	B	C
LFCK170LKEA	1/2" Sweat x 3/8" O.D.	1"	6-1/4"	5-1/2"

LK designates *Loose Key*

* See options and accessories section for details on product variations.



Specifications:

Supply kit shall include lead free chrome plated brass integral check supply stop valves with full tum brass stem, no plastic, (12, 15, 20) inch chrome plated risers and (shallow, deep, bell) (steel, brass) or (forged brass with set screw) flange. Inlet shall be 1/2 inch (IPS, sweat, compression). Outlet shall be 3/8 inch (IPS, compression). Supply kit shall be McGuire _____. Supply shall be certified by recognized authority and bear manufacturer and testing mark.

! WARNING:

This product can expose you to chemicals including lead, which is known to the State of California to cause cancer, and birth defects or other reproductive harm. For more information go to www.P65Warnings.ca.gov.

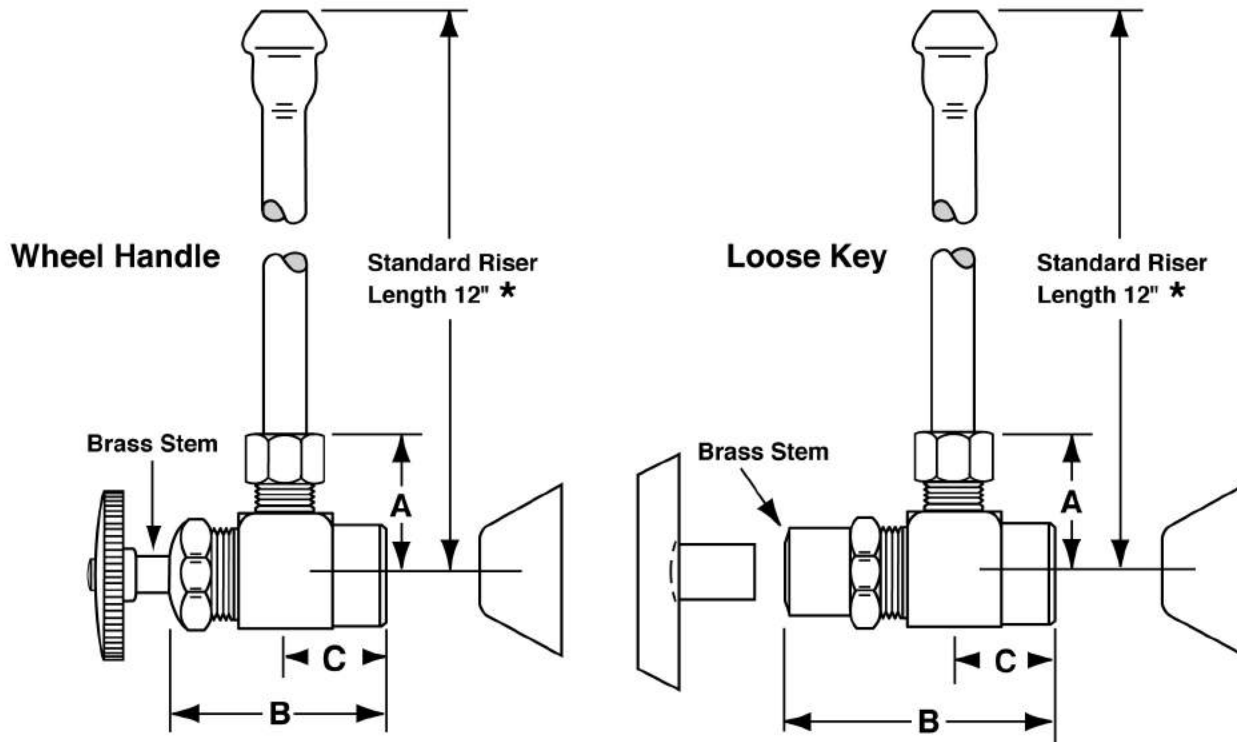


McGuire Manufacturing Co., Inc.
 60 Grandview Court
 Cheshire, Connecticut 06410
 (203) 699-1801 Fax (203) 699-1813
 customerservice@mcguiremfg.com mcguiremfg.com
PRODUCT SPECIFICATION

Part No.
LFCK175
Integral Check Supply Kit
Sweat to Compression

Job Name:

Submittal Number:



NO.	DESCRIPTION	ROUGHING MEASUREMENTS		
		A	B	C
LFCK175	1/2" Sweat x 3/8" O.D.	1-3/8"	2"	1"

LK designates *Loose Key*

* See options and accessories section for details on product variations.



Specifications:

Supply kit shall include lead free chrome plated integral check supply stop valves with full turn brass stem, no plastic, (12, 15, 20) inch chrome plated risers and (shallow, deep, bell) (steel, brass) or (forged brass with set screw) flange. Inlet shall be 1/2 inch sweat. Outlet shall be 3/8 inch compression. Supply kit shall be McGuire _____ . Supply shall be certified by recognized authority and bear manufacturer and testing mark.

! WARNING:

This product can expose you to chemicals including lead, which is known to the State of California to cause cancer, and birth defects or other reproductive harm. For more information go to www.P65Warnings.ca.gov.

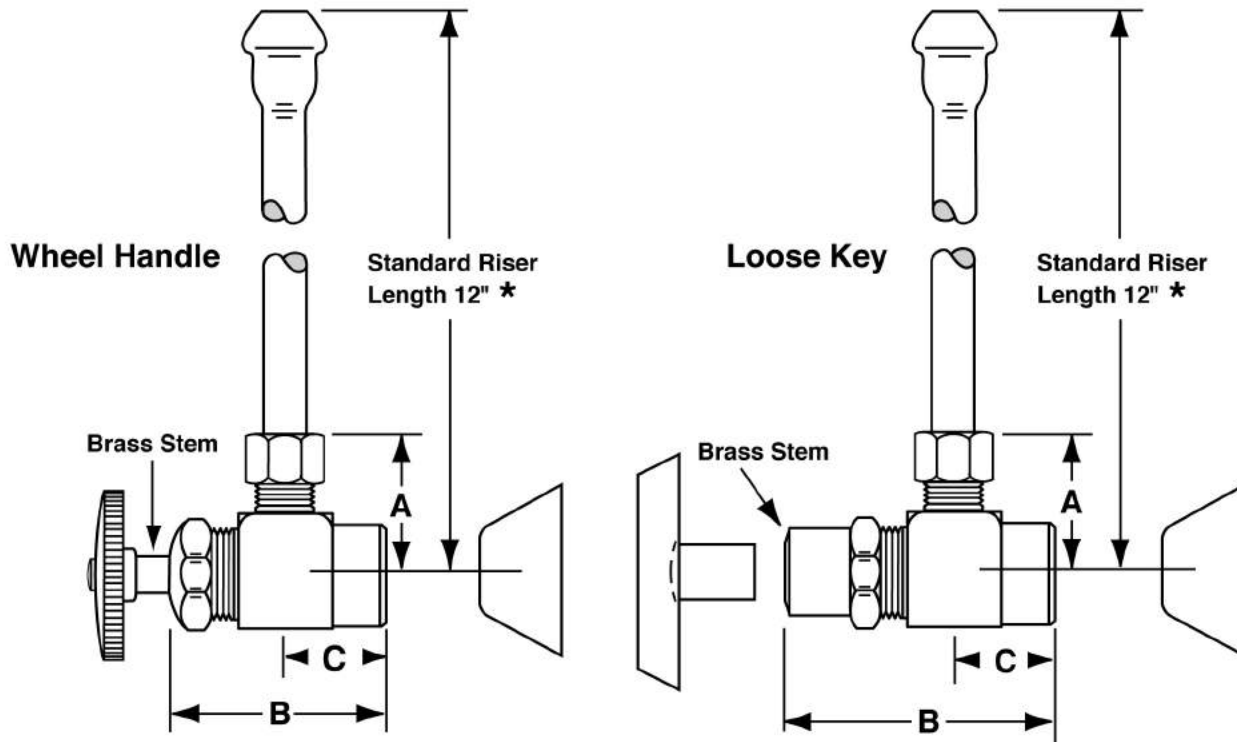


McGuire Manufacturing Co., Inc.
 60 Grandview Court
 Cheshire, Connecticut 06410
 (203) 699-1801 Fax (203) 699-1813
 customerservice@mcguiremfg.com mcguiremfg.com
PRODUCT SPECIFICATION

Part No.
LFCK175EA
Integral Check Supply Kit
Sweat to Compression

Job Name:

Submittal Number:



NO.	DESCRIPTION	ROUGHING MEASUREMENTS		
		A	B	C
LFCK175EA	1/2" Sweat x 3/8" O.D.	1-3/8"	2"	1"

LK designates *Loose Key*

* See options and accessories section for details on product variations.



Specifications:

Supply kit shall include lead free chrome plated integral check supply stop valves with full turn brass stem, no plastic, (12, 15, 20) inch chrome plated risers and (shallow, deep, bell) (steel, brass) or (forged brass with set screw) flange. Inlet shall be 1/2 inch sweat. Outlet shall be 3/8 inch compression. Supply kit shall be McGuire _____ . Supply shall be certified by recognized authority and bear manufacturer and testing mark.

! WARNING:
 This product can expose you to chemicals including lead, which is known to the State of California to cause cancer, and birth defects or other reproductive harm. For more information go to www.P65Warnings.ca.gov.

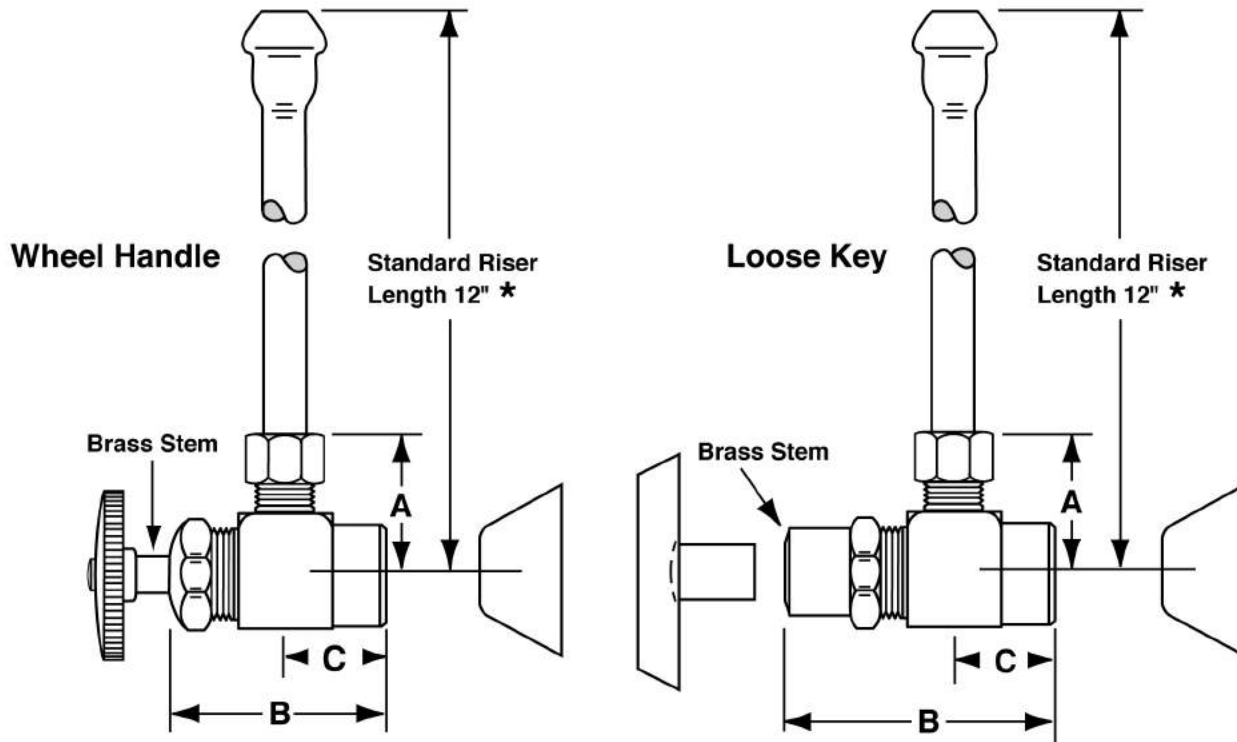


McGuire Manufacturing Co., Inc.
 60 Grandview Court
 Cheshire, Connecticut 06410
 (203) 699-1801 Fax (203) 699-1813
 customerservice@mcguiremfg.com mcguiremfg.com
PRODUCT SPECIFICATION

Part No.
LFCK175LK
Integral Check Supply Kit
Sweat to Compression

Job Name:

Submittal Number:



NO.	DESCRIPTION	ROUGHING MEASUREMENTS		
		A	B	C
LFCK175LK	1/2" Sweat x 3/8" O.D.	1-3/8"	2"	1"

LK designates *Loose Key*

* See options and accessories section for details on product variations.



Specifications:

Supply kit shall include lead free chrome plated integral check supply stop valves with full turn brass stem, no plastic, (12, 15, 20) inch chrome plated risers and (shallow, deep, bell) (steel, brass) or (forged brass with set screw) flange. Inlet shall be 1/2 inch sweat. Outlet shall be 3/8 inch compression. Supply kit shall be McGuire _____ . Supply shall be certified by recognized authority and bear manufacturer and testing mark.

! WARNING:
 This product can expose you to chemicals including lead, which is known to the State of California to cause cancer, and birth defects or other reproductive harm. For more information go to www.P65Warnings.ca.gov.

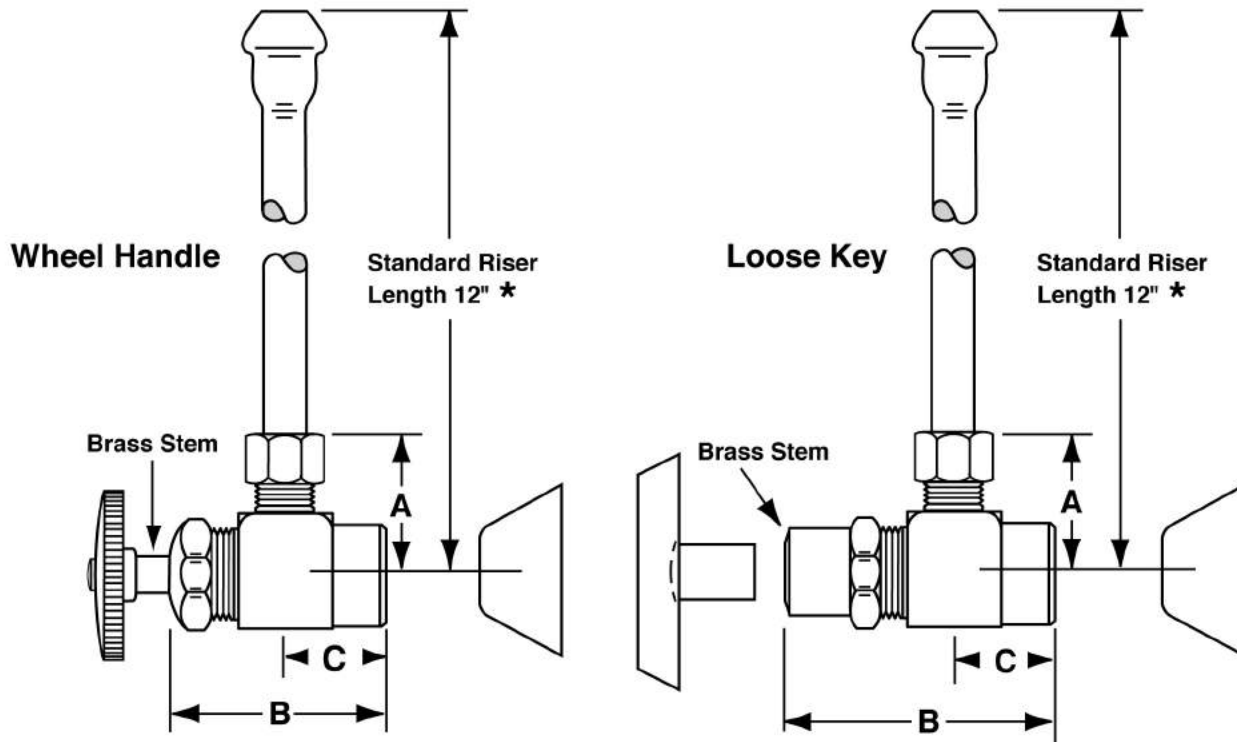


McGuire Manufacturing Co., Inc.
 60 Grandview Court
 Cheshire, Connecticut 06410
 (203) 699-1801 Fax (203) 699-1813
 customerservice@mcguiremfg.com mcguiremfg.com
PRODUCT SPECIFICATION

Part No.
LFCK175LKEA
Integral Check Supply Kit
Sweat to Compression

Job Name:

Submittal Number:



NO.	DESCRIPTION	ROUGHING MEASUREMENTS		
		A	B	C
LFCK175LKEA	1/2" Sweat x 3/8" O.D.	1-3/8"	2"	1"

LK designates *Loose Key*

* See options and accessories section for details on product variations.



Specifications:

Supply kit shall include lead free chrome plated integral check supply stop valves with full turn brass stem, no plastic, (12, 15, 20) inch chrome plated risers and (shallow, deep, bell) (steel, brass) or (forged brass with set screw) flange. Inlet shall be 1/2 inch sweat. Outlet shall be 3/8 inch compression. Supply kit shall be McGuire _____ . Supply shall be certified by recognized authority and bear manufacturer and testing mark.

! WARNING:

This product can expose you to chemicals including lead, which is known to the State of California to cause cancer, and birth defects or other reproductive harm. For more information go to www.P65Warnings.ca.gov.



McGuire Manufacturing Co., Inc.

60 Grandview Court
 Cheshire, Connecticut 06410
 (203) 699-1801 Fax (203) 699-1813
 customerservice@mcguiremfg.com mcguiremfg.com

PRODUCT SPECIFICATION

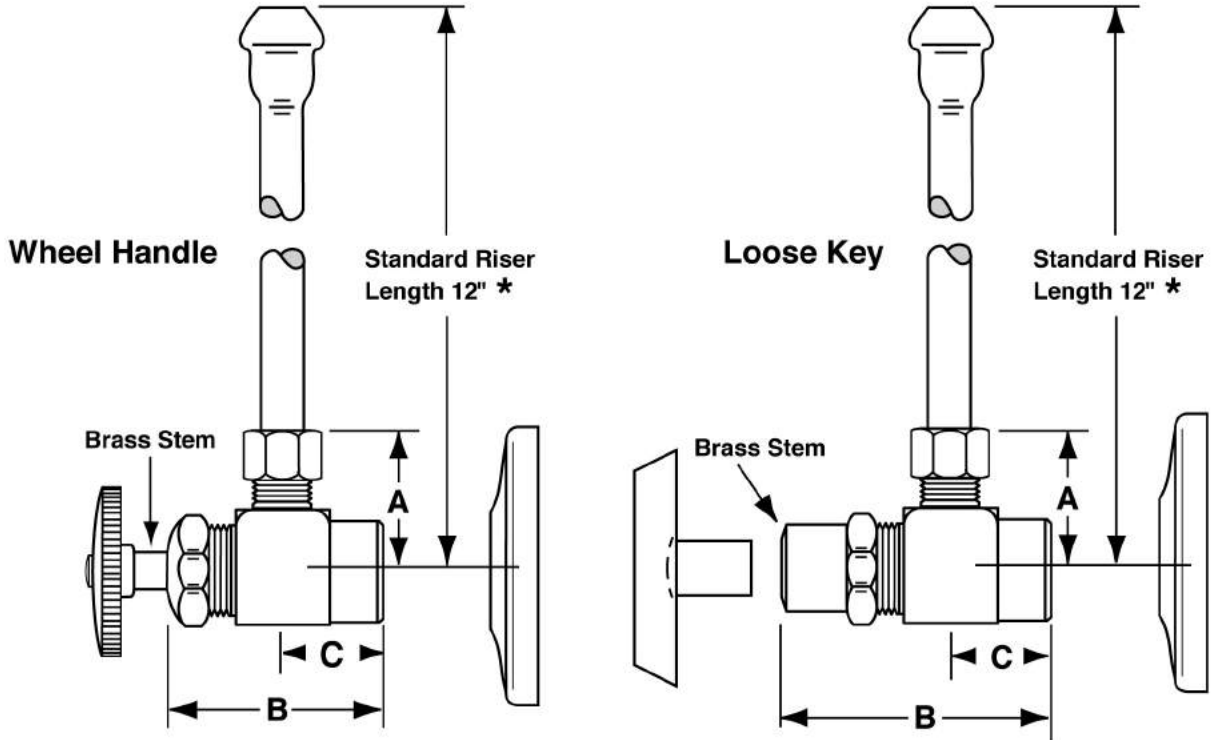
Part No.

LFCK2165

**Integral Check Supply Kit
 1/2" I.P.S. x O.D.**

Job Name:

Submittal Number:



NO.	DESCRIPTION	ROUGHING MEASUREMENTS		
		A	B	C
LFCK2165	1/2" I.P.S. x 3/8" O.D.	1-3/8"	1-15/16"	1"

LK designates Loose Key

* See options and accessories section for details on product variations.



Specifications:

Supply kit shall include lead free integral check chrome plated brass stops with full turn brass stem, no plastic, (12, 15, 20) inch chrome plated copper risers and (shallow, deep, bell) (steel or brass) or (forged brass with set screw) flange. Inlet shall be (3/8, 1/2) inch (IPS, sweat, compression). Outlet shall be (3/8, 1/2) inch (IPS, compression). Supply kit shall be McGuire _____ . Supply kit shall be certified by recognized authority and bear manufacturer and testing mark.



WARNING:
 This product can expose you to chemicals including lead, which is known to the State of California to cause cancer, and birth defects or other reproductive harm. For more information go to www.P65Warnings.ca.gov.



McGuire Manufacturing Co., Inc.

60 Grandview Court
Cheshire, Connecticut 06410
(203) 699-1801 Fax (203) 699-1813
customerservice@mcguiremfg.com mcguiremfg.com

PRODUCT SPECIFICATION

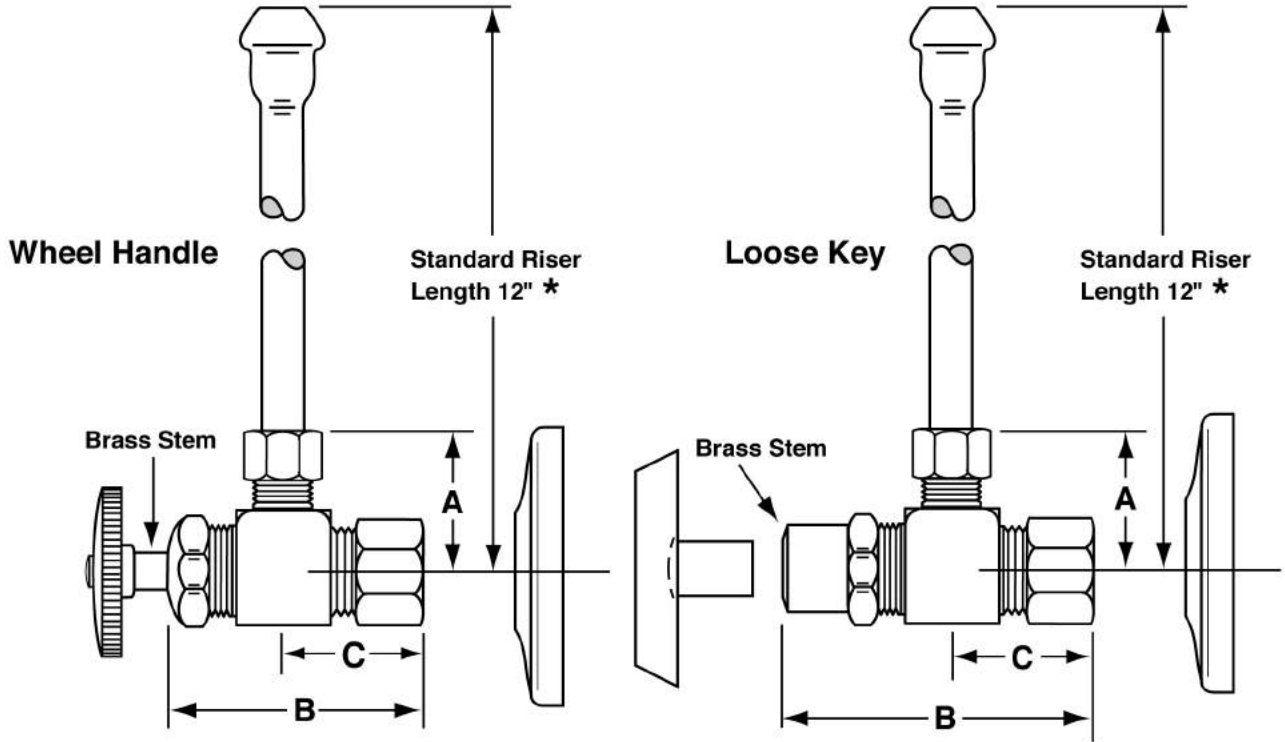
Part No.

LFCK2165CC

Integral Check Supply Kit 1/2" Nominal x O.D.

Job Name:

Submittal Number:



NO.	DESCRIPTION	ROUGHING MEASUREMENTS		
		A	B	C
LFCK2165CC	1/2" Nominal x 3/8" O.D.	1-3/8"	2-1/4"	1-3/8"

LK designates Loose Key

* See options and accessories section for details on product variations.



Specifications:

Supply kit shall include lead free chrome plated integral check supply brass stop valves with full turn brass stem, no plastic, (12, 15, 20) inch chrome plated risers and (shallow, deep, bell) (steel, brass) or (forged brass with set screw) flange. Inlet shall be (3/8, 1/2) inch compression. Outlet shall be (3/8, 1/2) inch compression. Supply kit shall be McGuire _____ . Supply kit shall be certified by recognized authority and bear manufacturer and testing mark.

WARNING:

This product can expose you to chemicals including lead, which is known to the State of California to cause cancer, and birth defects or other reproductive harm. For more information go to www.P65Warnings.ca.gov.



McGuire Manufacturing Co., Inc.

60 Grandview Court
Cheshire, Connecticut 06410
(203) 699-1801 Fax (203) 699-1813
customerservice@mcguiremfg.com mcguiremfg.com

PRODUCT SPECIFICATION

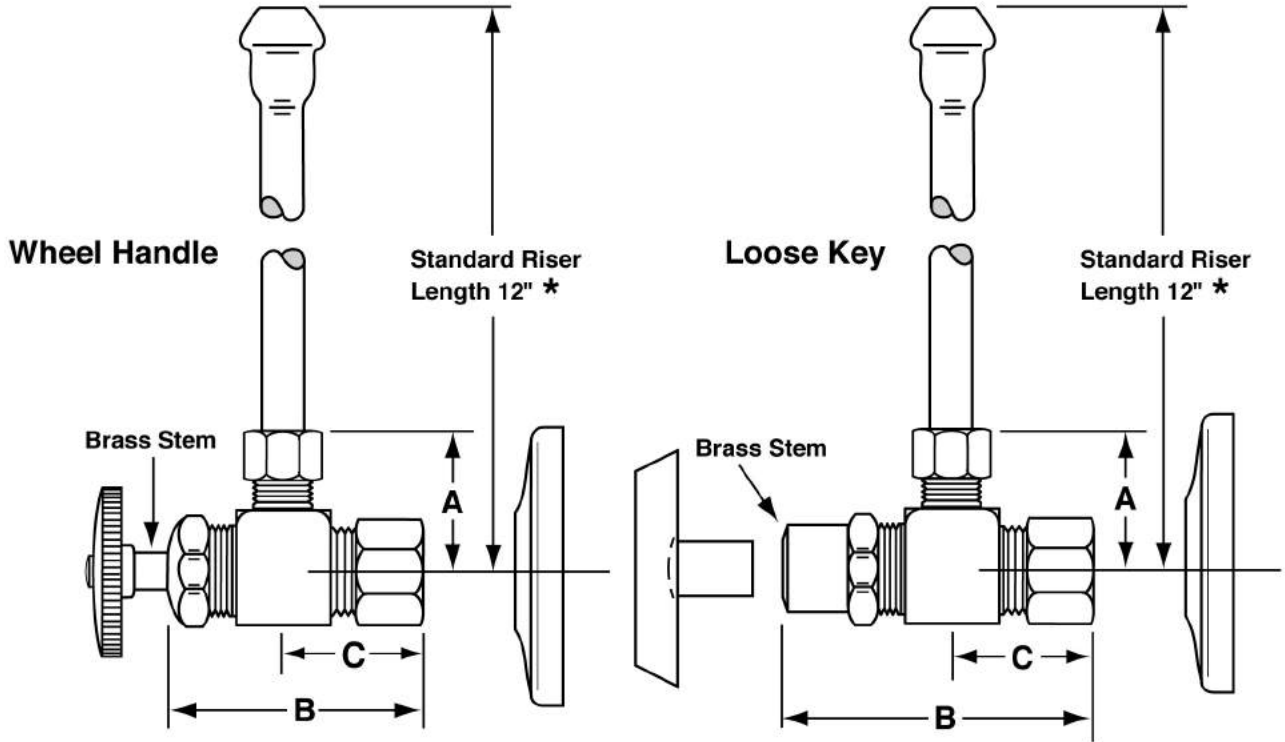
Part No.

LFCK2165CCEA

Integral Check Supply Kit 1/2" Nominal x O.D.

Job Name:

Submittal Number:



NO.	DESCRIPTION	ROUGHING MEASUREMENTS		
		A	B	C
LFCK2165CCEA	1/2" Nominal x 3/8" O.D.	1-3/8"	2-1/4"	1-3/8"

LK designates Loose Key

* See options and accessories section for details on product variations.



Specifications:

Supply kit shall include lead free chrome plated integral check supply brass stop valves with full turn brass stem, no plastic, (12, 15, 20) inch chrome plated risers and (shallow, deep, bell) (steel, brass) or (forged brass with set screw) flange. Inlet shall be (3/8, 1/2) inch compression. Outlet shall be (3/8, 1/2) inch compression. Supply kit shall be McGuire _____ . Supply kit shall be certified by recognized authority and bear manufacturer and testing mark.

WARNING:

This product can expose you to chemicals including lead, which is known to the State of California to cause cancer, and birth defects or other reproductive harm. For more information go to www.P65Warnings.ca.gov.



McGuire Manufacturing Co., Inc.

60 Grandview Court
 Cheshire, Connecticut 06410
 (203) 699-1801 Fax (203) 699-1813
 customerservice@mcguiremfg.com mcguiremfg.com

Part No.

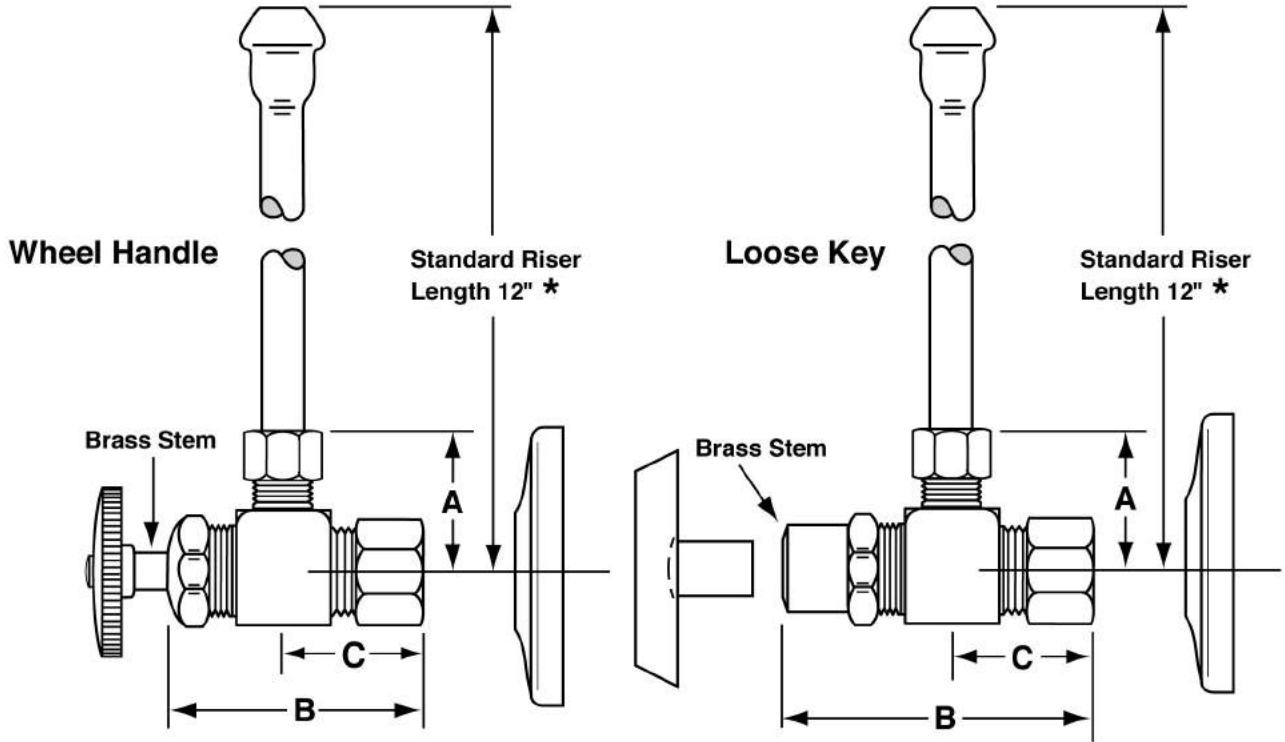
LFCK2165CCLK

**Integral Check Supply Kit
 1/2" Nominal x O.D.**

PRODUCT SPECIFICATION

Job Name: _____

Submittal Number: _____



NO.	DESCRIPTION	ROUGHING MEASUREMENTS		
		A	B	C
LFCK2165CCLK	1/2" Nominal x 3/8" O.D.	1-3/8"	2-1/4"	1-3/8"

LK designates Loose Key

* See options and accessories section for details on product variations.



Specifications:

Supply kit shall include lead free chrome plated integral check supply brass stop valves with full turn brass stem, no plastic, (12, 15, 20) inch chrome plated risers and (shallow, deep, bell) (steel, brass) or (forged brass with set screw) flange. Inlet shall be (3/8, 1/2) inch compression. Outlet shall be (3/8, 1/2) inch compression. Supply kit shall be McGuire _____. Supply kit shall be certified by recognized authority and bear manufacturer and testing mark.

WARNING:

This product can expose you to chemicals including lead, which is known to the State of California to cause cancer, and birth defects or other reproductive harm. For more information go to www.P65Warnings.ca.gov.



McGuire Manufacturing Co., Inc.

60 Grandview Court
Cheshire, Connecticut 06410
(203) 699-1801 Fax (203) 699-1813
customerservice@mcguiremfg.com mcguiremfg.com

PRODUCT SPECIFICATION

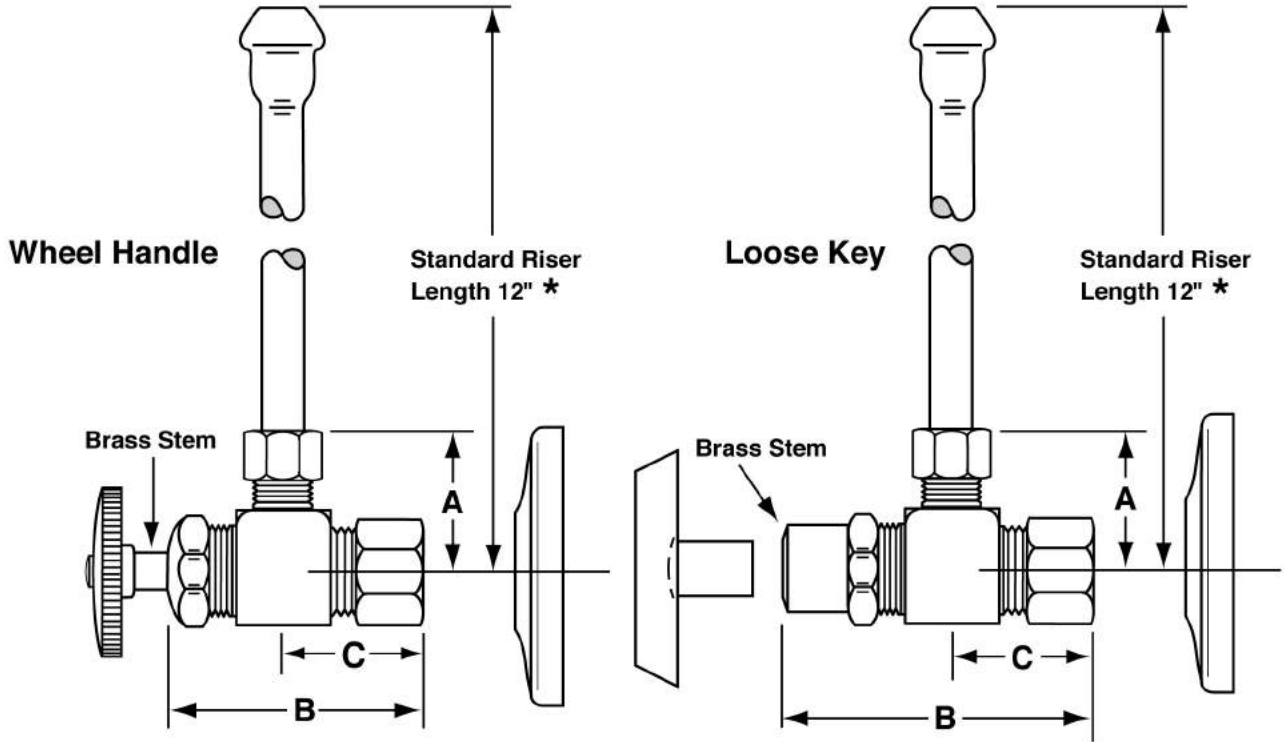
Part No.

LFCK2165CCLKEA

**Integral Check Supply Kit
1/2" Nominal x O.D.**

Job Name:

Submittal Number:



NO.	DESCRIPTION	ROUGHING MEASUREMENTS		
		A	B	C
LFCK2165CCLKEA	1/2" Nominal x 3/8" O.D.	1-3/8"	2-1/4"	1-3/8"

LK designates Loose Key

* See options and accessories section for details on product variations.



Specifications:

Supply kit shall include lead free chrome plated integral check supply brass stop valves with full turn brass stem, no plastic, (12, 15, 20) inch chrome plated risers and (shallow, deep, bell) (steel, brass) or (forged brass with set screw) flange. Inlet shall be (3/8, 1/2) inch compression. Outlet shall be (3/8, 1/2) inch compression. Supply kit shall be McGuire _____ . Supply kit shall be certified by recognized authority and bear manufacturer and testing mark.

WARNING:

This product can expose you to chemicals including lead, which is known to the State of California to cause cancer, and birth defects or other reproductive harm. For more information go to www.P65Warnings.ca.gov.



McGuire Manufacturing Co., Inc.

60 Grandview Court
Cheshire, Connecticut 06410
(203) 699-1801 Fax (203) 699-1813
customerservice@mcguiremfg.com mcguiremfg.com

PRODUCT SPECIFICATION

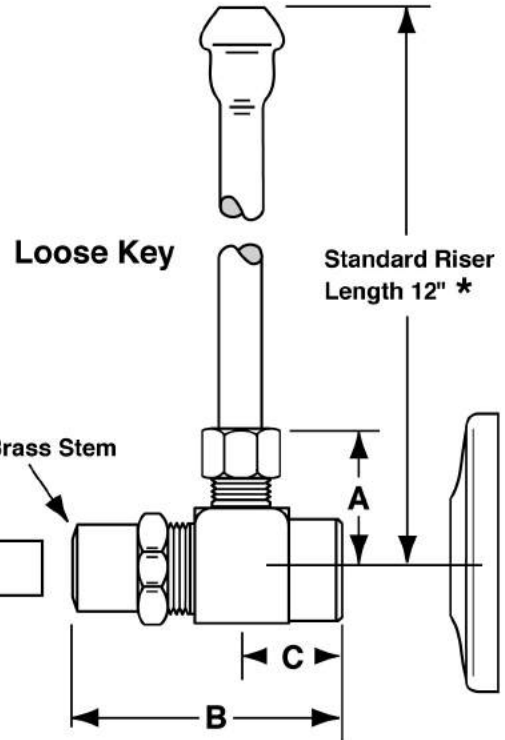
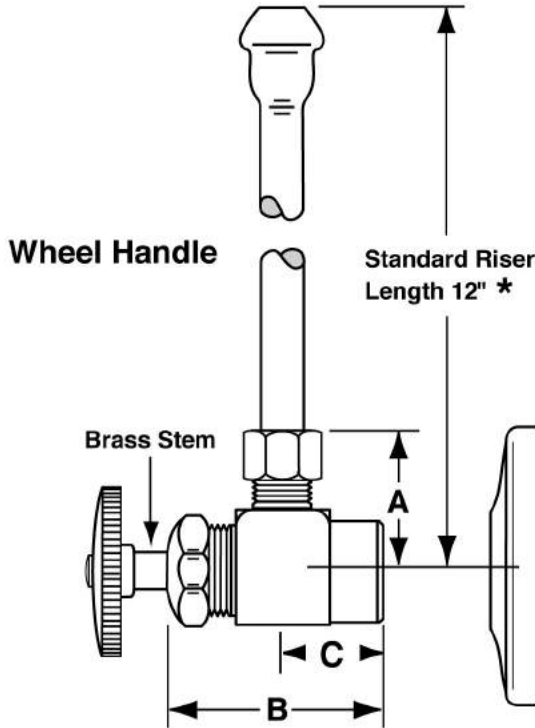
Part No.

LFCK2165LK

Integral Check Supply Kit
1/2" I.P.S. x O.D.

Job Name:

Submittal Number:



NO.	DESCRIPTION	ROUGHING MEASUREMENTS		
		A	B	C
LFCK2165LK	1/2" I.P.S. x 3/8" O.D.	1-3/8"	1-15/16"	1"

- Rated Operating Pressure: 20-125 PSI
- Rated Operating Temperature: 40-140°F
- Note: 180°F max. during temporary high-temperature system flush

LK designates Loose Key

* See options and accessories section for details on product variations.



Specifications:

Supply kit shall include lead free integral check chrome plated brass stops with full turn brass stem, no plastic, (12, 15, 20) inch chrome plated copper risers and (shallow, deep, bell) (steel or brass) or (forged brass with set screw) flange. Inlet shall be (3/8, 1/2) inch (IPS, sweat, compression). Outlet shall be (3/8, 1/2) inch (IPS, compression). Supply kit shall be McGuire _____ . Supply kit shall be certified by recognized authority and bear manufacturer and testing mark.



WARNING:

This product can expose you to chemicals including lead, which is known to the State of California to cause cancer, and birth defects or other reproductive harm. For more information go to www.P65Warnings.ca.gov.



McGuire Manufacturing Co., Inc.

60 Grandview Court
 Cheshire, Connecticut 06410
 (203) 699-1801 Fax (203) 699-1813
 customerservice@mcguiremfg.com mcguiremfg.com

PRODUCT SPECIFICATION

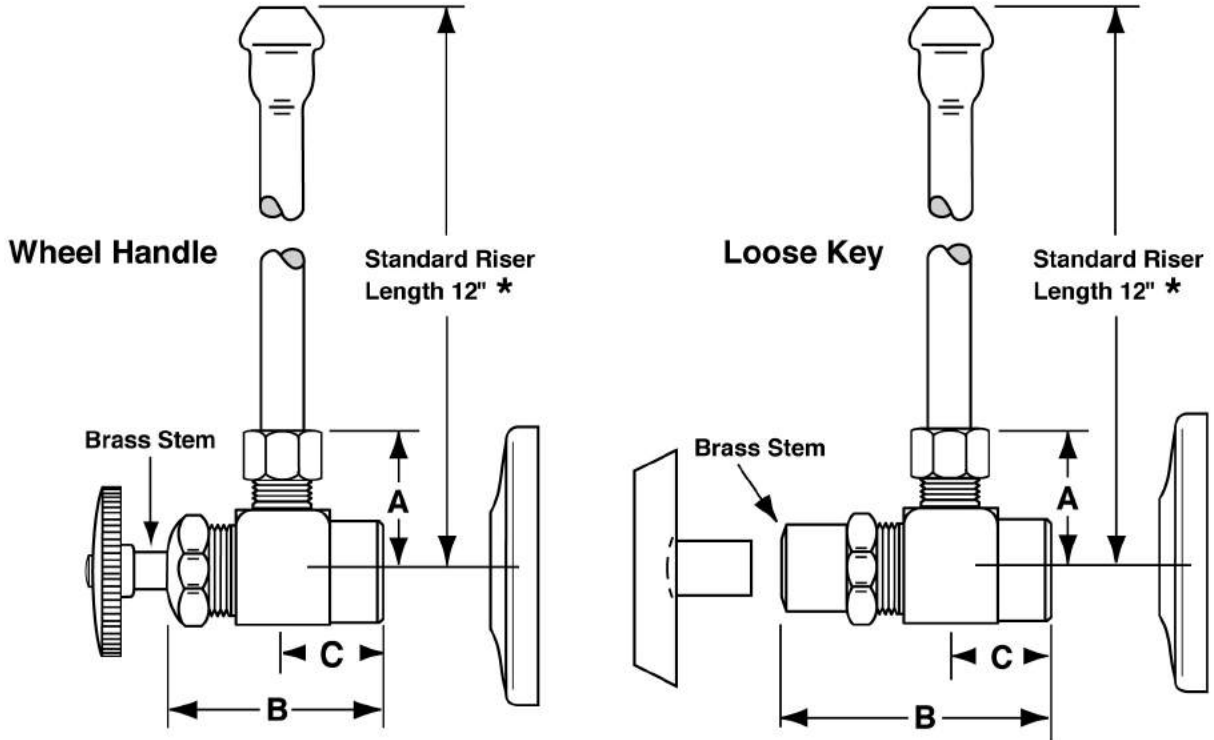
Part No.

LFCK2165LKEA

**Integral Check Supply Kit
 1/2" I.P.S. x O.D.**

Job Name:

Submittal Number:



NO.	DESCRIPTION	ROUGHING MEASUREMENTS		
		A	B	C
LFCK2165LKEA	1/2" I.P.S. x 3/8" O.D.	1-3/8"	1-15/16"	1"

LK designates Loose Key

* See options and accessories section for details on product variations.



Specifications:

Supply kit shall include lead free integral check chrome plated brass stops with full turn brass stem, no plastic, (12, 15, 20) inch chrome plated copper risers and (shallow, deep, bell) (steel or brass) or (forged brass with set screw) flange. Inlet shall be (3/8, 1/2) inch (IPS, sweat, compression). Outlet shall be (3/8, 1/2) inch (IPS, compression). Supply kit shall be McGuire _____. Supply kit shall be certified by recognized authority and bear manufacturer and testing mark.

! WARNING:

This product can expose you to chemicals including lead, which is known to the State of California to cause cancer, and birth defects or other reproductive harm. For more information go to www.P65Warnings.ca.gov.



McGuire Manufacturing Co., Inc.

60 Grandview Court
 Cheshire, Connecticut 06410
 (203) 699-1801 Fax (203) 699-1813
 customerservice@mcguiremfg.com mcguiremfg.com

PRODUCT SPECIFICATION

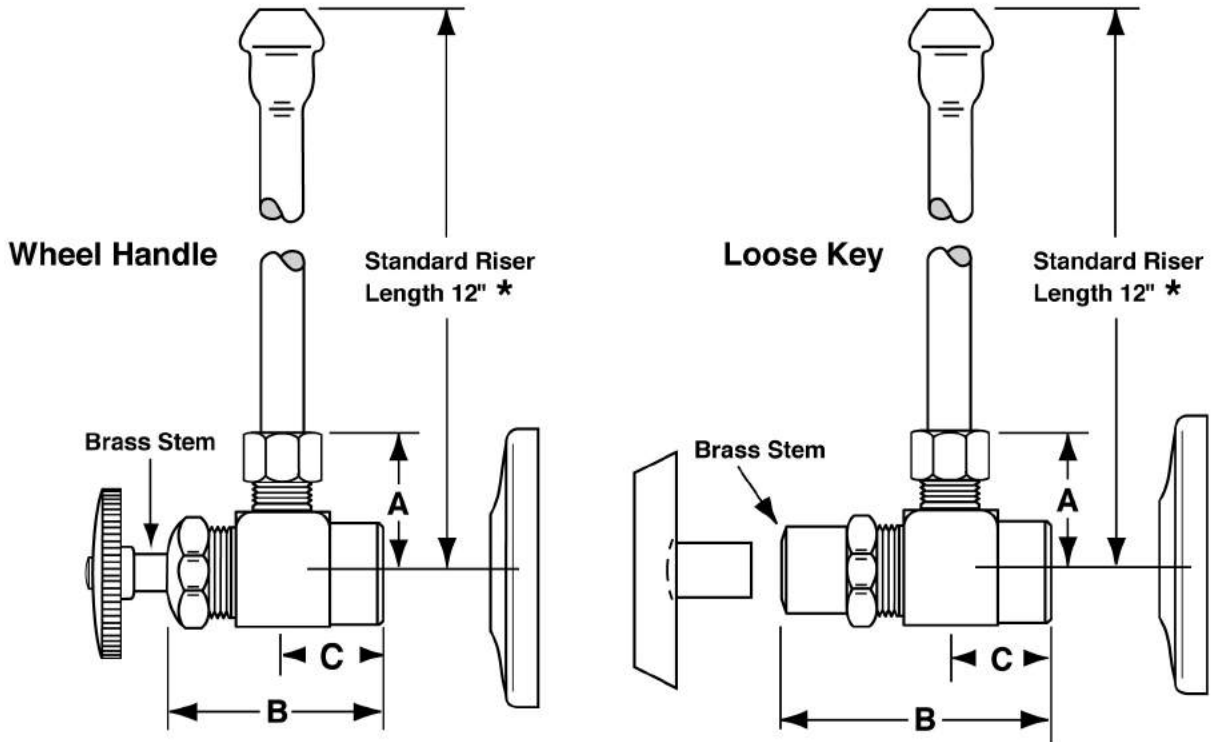
Part No.

LFCK2167

**Integral Check Supply Kit
 1/2" I.P.S. x O.D.**

Job Name:

Submittal Number:



NO.	DESCRIPTION	ROUGHING MEASUREMENTS		
		A	B	C
LFCK2167	1/2" I.P.S. x 1/2" O.D.	1-3/8"	1-15/16"	1"

LK designates Loose key

* See options and accessories section for details on product variations.



Specifications:

Supply kit shall include lead free integral check chrome plated brass stops with full turn brass stem, no plastic, (12, 15, 20) inch chrome plated copper risers and (shallow, deep, bell) (steel or brass) or (forged brass with set screw) flange. Inlet shall be (3/8, 1/2) inch (IPS, sweat, compression). Outlet shall be (3/8, 1/2) inch (IPS, compression). Supply kit shall be McGuire _____ . Supply kit shall be certified by recognized authority and bear manufacturer and testing mark.

WARNING:

This product can expose you to chemicals including lead, which is known to the State of California to cause cancer, and birth defects or other reproductive harm. For more information go to www.P65Warnings.ca.gov.



McGuire Manufacturing Co., Inc.

60 Grandview Court
 Cheshire, Connecticut 06410
 (203) 699-1801 Fax (203) 699-1813
 customerservice@mcguiremfg.com mcguiremfg.com

PRODUCT SPECIFICATION

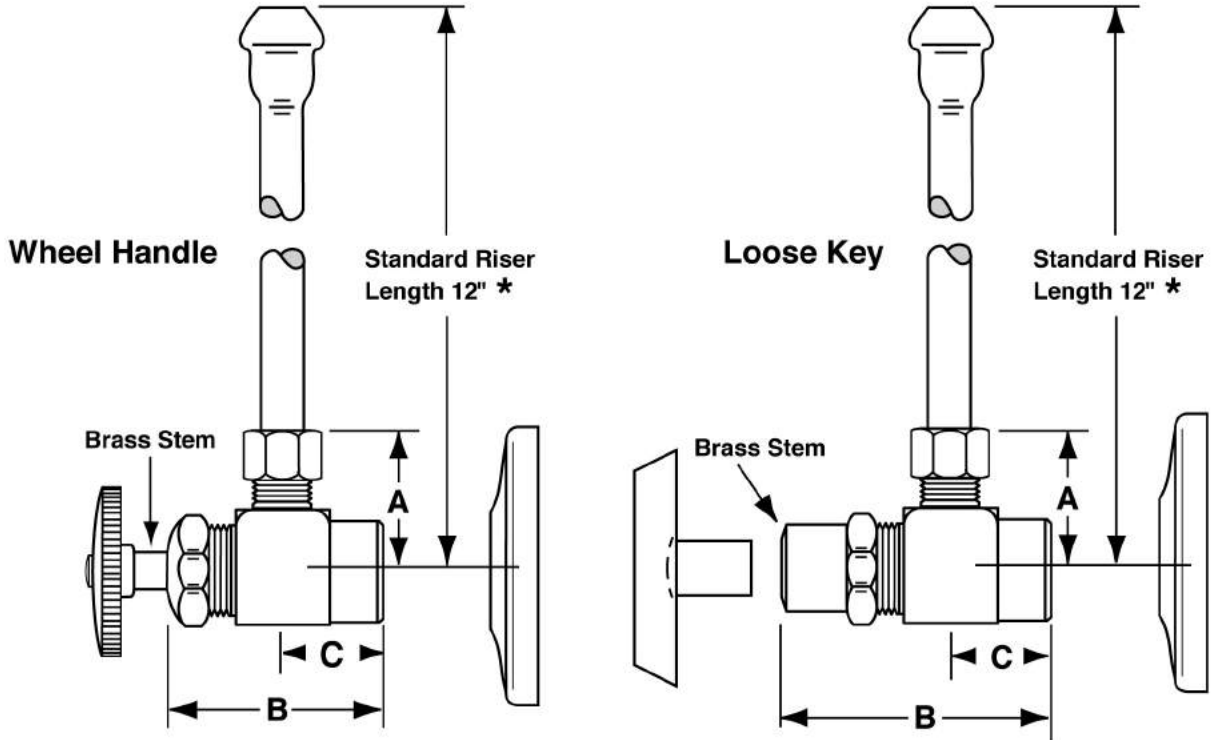
Part No.

LFCK2167EA

**Integral Check Supply Kit
 1/2" I.P.S. x O.D.**

Job Name:

Submittal Number:



NO.	DESCRIPTION	ROUGHING MEASUREMENTS		
		A	B	C
LFCK2167EA	1/2" I.P.S. x 1/2" O.D.	1-3/8"	1-15/16"	1"

LK designates Loose key

* See options and accessories section for details on product variations.



Specifications:

Supply kit shall include lead free integral check chrome plated brass stops with full turn brass stem, no plastic, (12, 15, 20) inch chrome plated copper risers and (shallow, deep, bell) (steel or brass) or (forged brass with set screw) flange. Inlet shall be (3/8, 1/2) inch (IPS, sweat, compression). Outlet shall be (3/8, 1/2) inch (IPS, compression). Supply kit shall be McGuire _____ . Supply kit shall be certified by recognized authority and bear manufacturer and testing mark.

! WARNING:

This product can expose you to chemicals including lead, which is known to the State of California to cause cancer, and birth defects or other reproductive harm. For more information go to www.P65Warnings.ca.gov.



McGuire Manufacturing Co., Inc.

60 Grandview Court
 Cheshire, Connecticut 06410
 (203) 699-1801 Fax (203) 699-1813
 customerservice@mcguiremfg.com mcguiremfg.com

PRODUCT SPECIFICATION

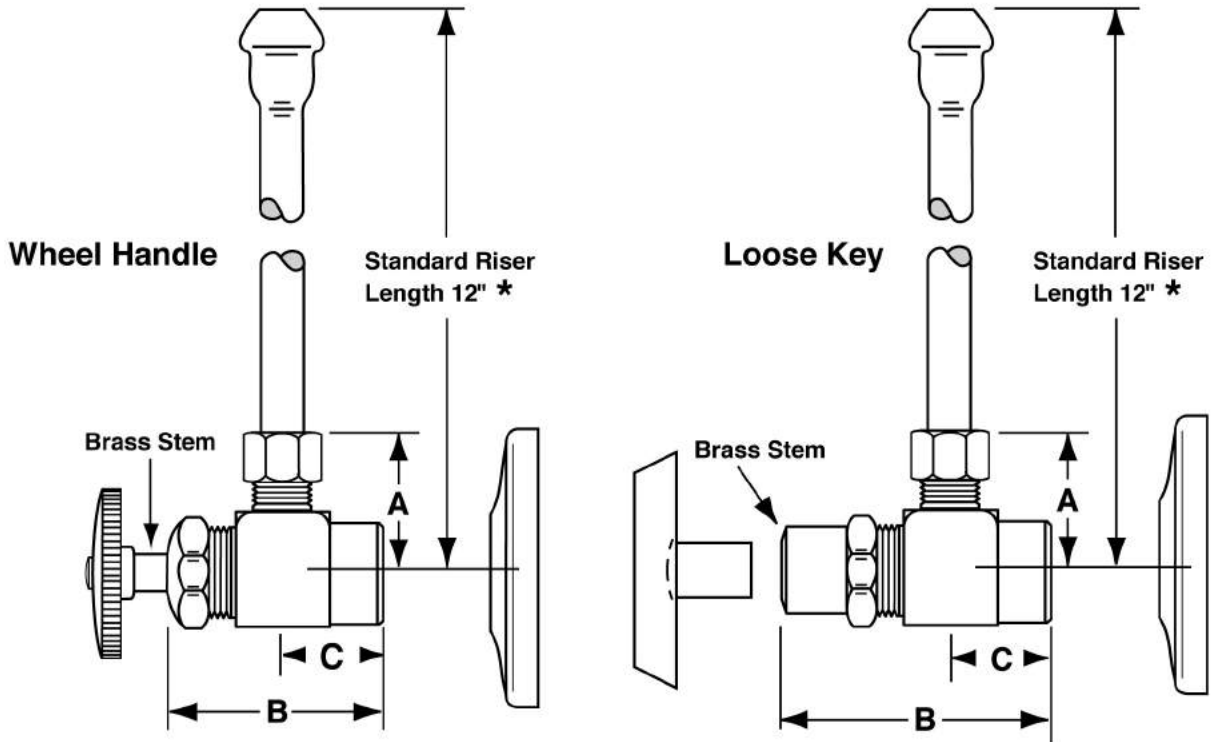
Part No.

LFCK2167LK

**Integral Check Supply Kit
 1/2" I.P.S. x O.D.**

Job Name:

Submittal Number:



NO.	DESCRIPTION	ROUGHING MEASUREMENTS		
		A	B	C
LFCK2167LK	1/2" I.P.S. x 1/2" O.D.	1-3/8"	1-15/16"	1"

LK designates Loose key

* See options and accessories section for details on product variations.



Specifications:

Supply kit shall include lead free integral check chrome plated brass stops with full turn brass stem, no plastic, (12, 15, 20) inch chrome plated copper risers and (shallow, deep, bell) (steel or brass) or (forged brass with set screw) flange. Inlet shall be (3/8, 1/2) inch (IPS, sweat, compression). Outlet shall be (3/8, 1/2) inch (IPS, compression). Supply kit shall be McGuire _____ . Supply kit shall be certified by recognized authority and bear manufacturer and testing mark.

! WARNING:

This product can expose you to chemicals including lead, which is known to the State of California to cause cancer, and birth defects or other reproductive harm. For more information go to www.P65Warnings.ca.gov.



McGuire Manufacturing Co., Inc.

60 Grandview Court
 Cheshire, Connecticut 06410
 (203) 699-1801 Fax (203) 699-1813
 customerservice@mcguiremfg.com mcguiremfg.com

PRODUCT SPECIFICATION

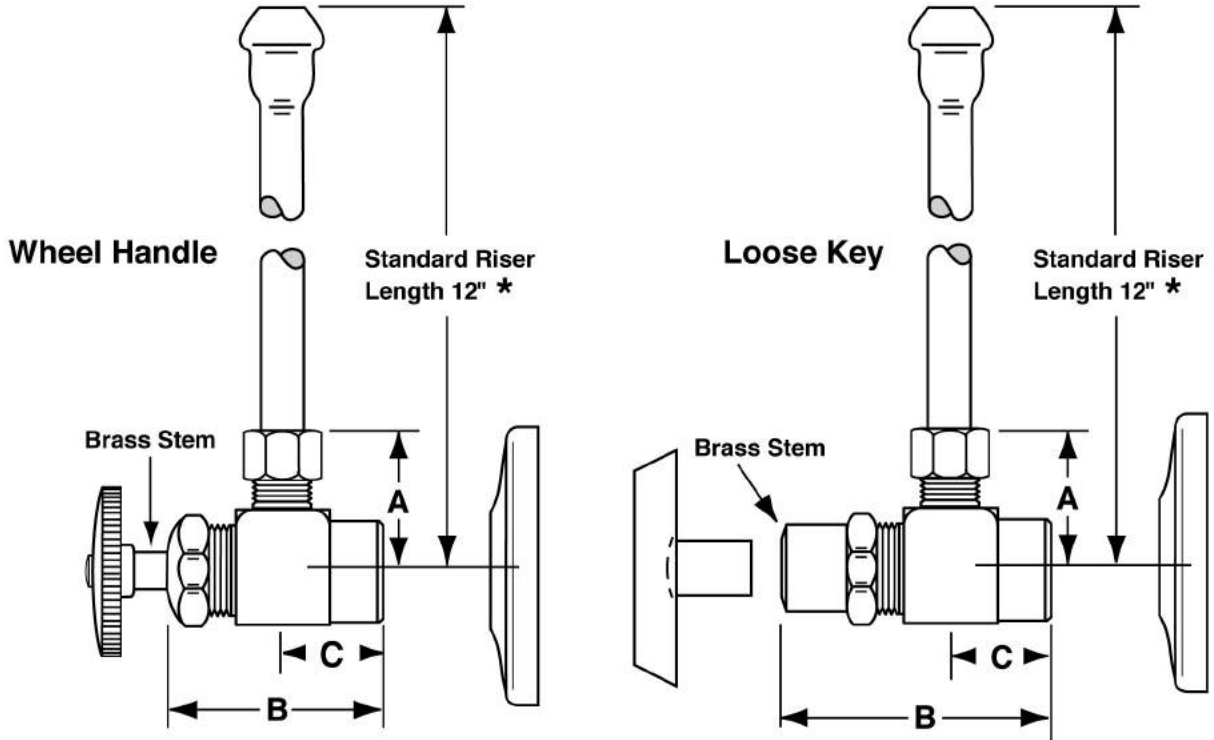
Part No.

LFCK2167LKEA

**Integral Check Supply Kit
 1/2" I.P.S. x O.D.**

Job Name:

Submittal Number:



NO.	DESCRIPTION	ROUGHING MEASUREMENTS		
		A	B	C
LFCK2167LKEA	1/2" I.P.S. x 1/2" O.D.	1-3/8"	1-15/16"	1"

LK designates Loose key

* See options and accessories section for details on product variations.



Specifications:

Supply kit shall include lead free integral check chrome plated brass stops with full turn brass stem, no plastic, (12, 15, 20) inch chrome plated copper risers and (shallow, deep, bell) (steel or brass) or (forged brass with set screw) flange. Inlet shall be (3/8, 1/2) inch (IPS, sweat, compression). Outlet shall be (3/8, 1/2) inch (IPS, compression). Supply kit shall be McGuire _____. Supply kit shall be certified by recognized authority and bear manufacturer and testing mark.

! WARNING:

This product can expose you to chemicals including lead, which is known to the State of California to cause cancer, and birth defects or other reproductive harm. For more information go to www.P65Warnings.ca.gov.